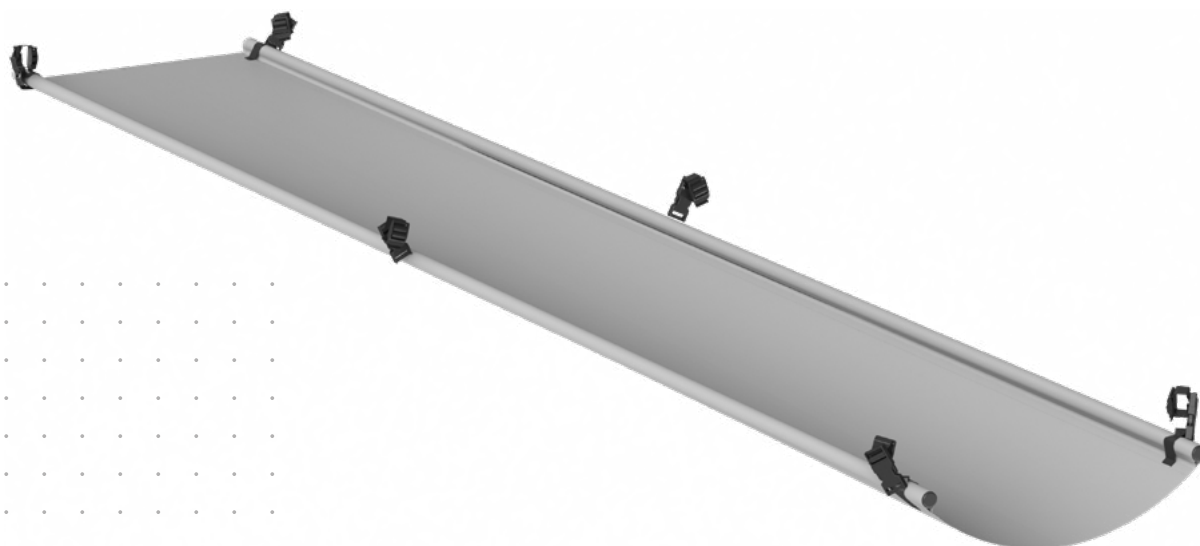


Technical Manual

Textile gutter
Besta Parasol



Index

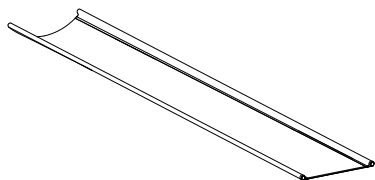
1. Components	4
2. Positioning the trident on the parasol arms	5
3. Fitting the parasol gutter	7
Annex I Disassembly and disposal of packaging of end-of-life product components	8



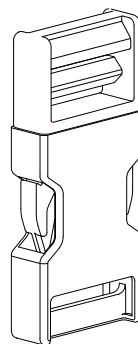
Important

It is **IMPORTANT** to read these instructions carefully before installation, operation, repair or first use, in order to protect the safety of persons and for the integrity of the product.

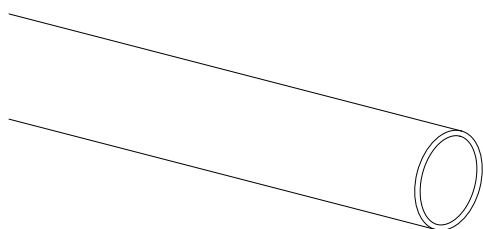
1. Components



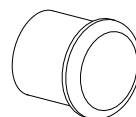
Acrylic canvas
022828



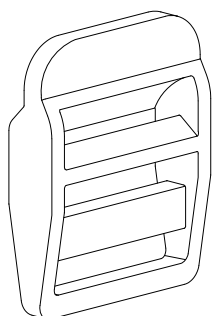
Besta Trident gutter 20 mm
120281



Aluminium round terminal 20 mm
030356



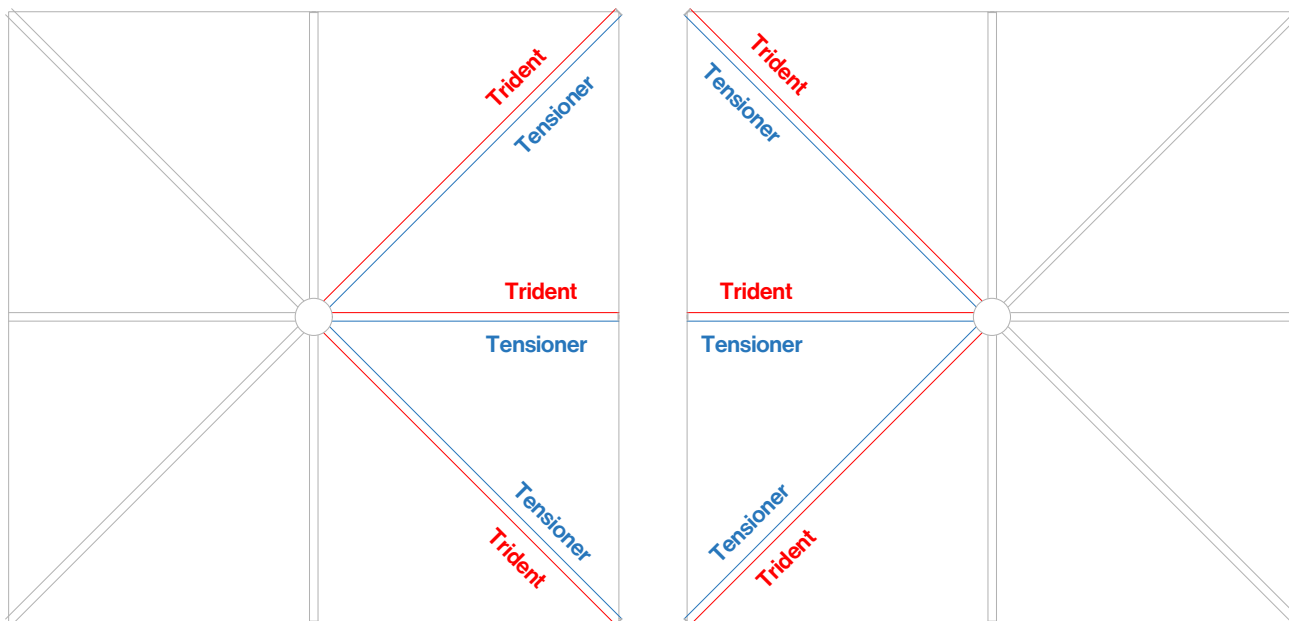
Cap for aluminium round terminal
030317



Besta strap tensioner pin 20 mm
120280

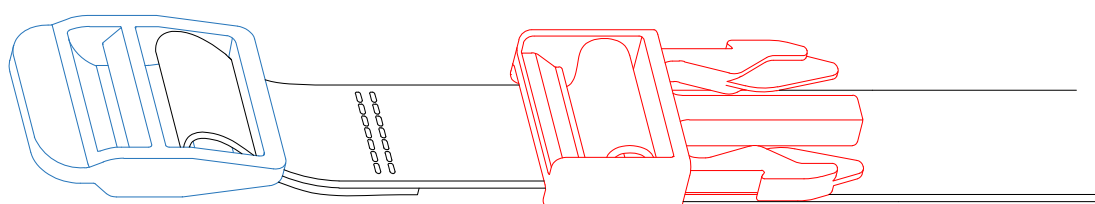
2. Placing the trident on the Parasol arms

A strap with a part of the tridents shall be attached to each of the arms of the two parasols. To do this, it is necessary to consider on which side of the arm the tensioner and the trident should be positioned:



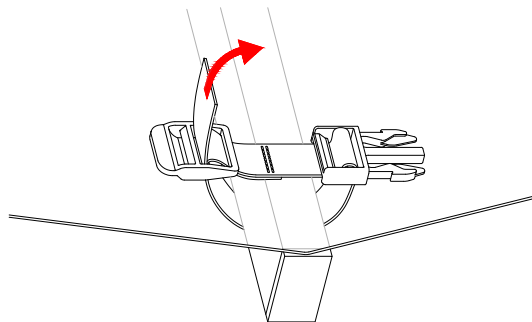
Tensioner

Trident

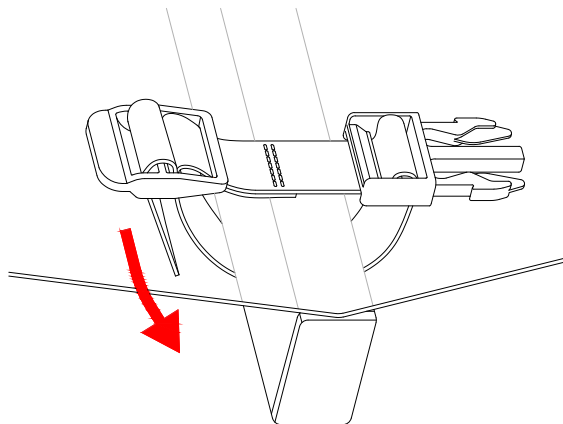


To attach the strap, it should be fitted around and closed over the arm by passing it through the tensioner in the sequence shown in the following pictures:

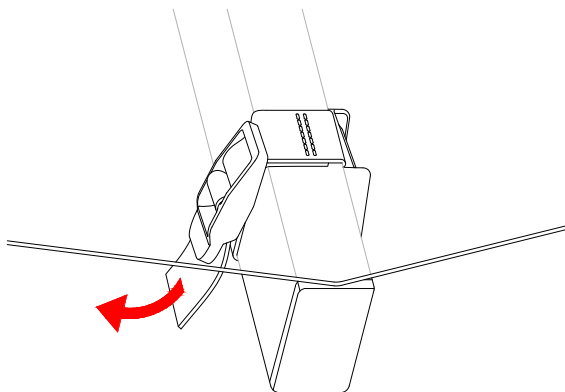
Place the tape on the parasol arm, passing the end through the inner hole of the tensioner. Take into account the side of the arm on which the trident has to be placed.



The strap is inserted on the outside of the tensioner.



Adjust the strap on the pin and the trident, until the tensioner is attached to the inner side of the profile and the trident to the outer side of the profile.

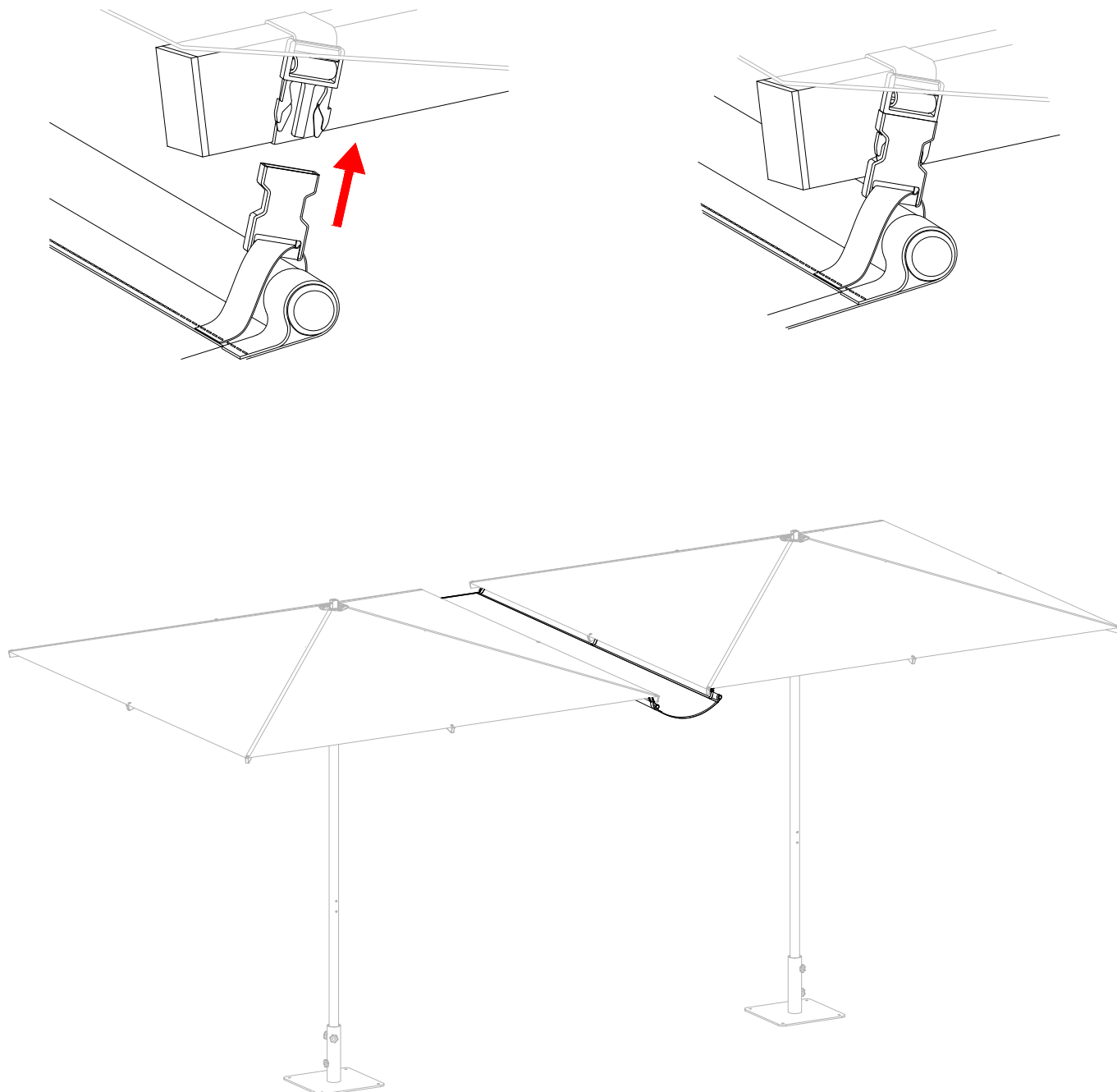


! Warning

On each side of the parasol, one of the elements must remain: the tensioner or the trident to ensure that there is no movement of the gutter.

3. Positioning the textile gutter

Once the straps have been fitted to the arms of both parasols, join the two parts of the tridents together, leaving the seams of the textile gutter at the top.



Disassembly and disposal of the packaging and components of the product at the end of its useful life

Disposal of packaging

Important

The packaging must be recycled by the authorised professional who installed the product.

We advise you to recycle the product packaging responsibly:

- Please dispose of this waste in accordance with the current regulations:
 - Directive 94/62/EC on packaging and packaging waste.
 - Spanish Law 11/1997 of April 24th on packaging and packaging waste.
- Please sort the waste by separating each and every one of the various materials, to facilitate effective disposal of the packaging.
- Do not dispose of packaging materials together with other types of waste. Take them to a packaging materials collection point designated by the local authorities.
- In order to minimise the environmental impact of packaging and packaging waste, it is necessary to define the composition and nature of the packaging of our products to recommend their best disposal.

Paper and cardboard:

In waste management, the recycling of paper and cardboard plays an important role, because up to 70% can be reclaimed. The disposal of paper and cardboard can be done through various channels such as collection by private operators or delivery to waste treatment plants.

Plastic:

The recycling of plastics has many advantages for the environment and therefore benefits the quality of life of everyone, contributing to a greater saving of raw materials as well as natural, energy producing and economic resources. The disposal of plastic can be done by private operators or delivered to waste treatment plants.

Bubble wrap:

This is made of low density poly-ethylene, which makes it 100 % recyclable. For optimal disposal, please deliver any waste comprising this material to plastic waste treatment plants.

Our commitment to the environment

One of **Saxun's** objectives is to maintain socially responsible behaviour. This commitment to the environment implies continuous improvements in the measures that are adopted to combat climate change.

Promoting responsible care of the environment, complying with the legal and regulatory requirements applicable to our products and promoting energy saving in all our projects are measures that are essential for us to achieve our objectives.

Disassembly and removal of the product

When disassembling this product, a number of precautionary measures must be taken. Observe the following warnings and instructions. Please contact your supplier with any queries.

Disassembly may only be carried out by experienced fitters. This manual is not intended for DIY enthusiasts or installers in training.

For more information on these disassembly instructions, please refer to the chapters regarding installation in this manual that contain diagrams and detailed information.

Our products are mainly made of recyclable materials. It is advisable to be informed about the recycling or disposal systems provided for in the current regulations in your country for this product category.



This symbol means that the product must not be disposed of together with household waste as it must be collected separately for recovery, reuse or recycling in accordance with local regulations.



In compliance with European Directive 2012/19/EU, waste electrical and electronic equipment (WEEE) can become a serious environmental problem if not managed properly. The Directive provides the general framework valid throughout the European Union for the disposal and re-use of waste electrical and electronic equipment.

At the end of the service life of the electrical or electronic equipment, it must not be thrown away together with other types of waste. They can be delivered to the specific centres regulated for this purpose by the local authorities.

The effective separation of waste will avoid negative consequences for the environment and health that could result from poor waste management or inadequate waste disposal.

Important

Always act with care. Please only use suitable tools that are in perfect condition.

Important

By complying with this directive, you will be acting in favour of the environment and will contribute to the conservation of natural resources and the protection of health.

Local regulations may impose significant penalties for illegal disposal of the product.

The materials that our products are made of offer a great variety of environmental advantages



Galvanised steel

Galvanised steel is a type of steel which undergoes a certain treatment, at the end of which it is coated with several layers of zinc which protect it, avoiding oxidation. The recycling of zinc helps reduce demand for new materials and as a result generates considerable energy savings, being a metal that constitutes a very valuable and sustainable resource.

For proper recycling of galvanised steel, it is advisable to visit a metal waste collection centre.



Stainless steel

Stainless steel is an iron alloy containing nickel and chromium to protect against corrosion and rust. Its qualities include resistance to high temperatures and being a particularly strong material. Stainless steel is an infinitely recyclable "green material". Its properties make it ideal for exposure to poor weather conditions.

Therefore, to ensure proper disposal of stainless steel, it is recommended that this material be left at a specialised waste collection centre.



Aluminium

Aluminium recycling guarantees an endless variety of environmental benefits. The use of recycle aluminium saves 95% of the energy used in its production in its raw state, and it can be recycled as many times as desired and is fully recoverable. Therefore, the recycling of aluminium is both technically and economically profitable.

Therefore, to ensure proper disposal of aluminium, it is recommended that this material be left at a specialised waste collection centre..



Cables

The recycling of electrical cables prevents the contamination that can come from these elements. Its re-cycling allows for the subsequent use of the copper, aluminium and brass from the cables, once they are separated from their plastic insulation.

Electrical and electronic waste must be taken to clean points for proper recycling



PET



HDPE



PVC



LDPE



PP



PS



Other

Plastic

Plastic recycling provides a sustainable source of raw material for the industry. Its reuse also significantly reduces environmental problems, as it is a non-biodegradable material.

Recycling reduces energy consumption and CO2 emissions, thus mitigating pollution and climate change.

There are several types of plastic, so to achieve optimal recycling it is essential to deposit them in clean points where the separation of the different types and their identification will take place.



Textiles

The use of textile waste is essential when we talk about recycling. Reuse of such waste helps to reduce the consumption of water and the gases that are released in the manufacturing process.

In order to encourage the proper disposal of textiles, it is recommended that they be left at a specialised waste centre where the different textile fibres will be separated.

! Important

Follow the recommendations for effective product recycling. Remember that recycling is more than an action; it is the value of accepting responsibility

saxun
by Giménez Ganga

Giménez Ganga, S.L.U.
Polígono Industrial El Castillo
C/ Roma, 4 • 03630
Sax (Alicante) • España

saxun.com

MT CANALÓN TEXTIL PARASOL BESTA - EN - 01 - 0924

