

**Technical Manual**

Aneas 80x40  
motorised





---

# Index

<b>1. Technical characteristics .....</b>	<b>4</b>
1.1 Motorisation accessory kit .....	6
<b>2. Main technical data .....</b>	<b>7</b>
2.1 Measurements and key data .....	8
<b>3. Guide preparation .....</b>	<b>10</b>
3.1 Mounting the drive support .....	10
3.2 Fitting the belt and assembling the drive support .....	10
3.3 Assembly of the drive pulley .....	12
3.4 Fitting the return support .....	12
<b>4. Installation .....</b>	<b>14</b>
4.1 Hanging the guides .....	14
4.2 Mounting the transmission tube .....	15
4.3 Mounting the fabric .....	16

# 1. Technical characteristics

Wall to wall Aneas 80x40



Patio cover without crossbar Aneas 80x40



Patio cover with crossbar Aneas 80x40



## Mobilisation



Motorized



Automated



Manual

## Installation possibilities



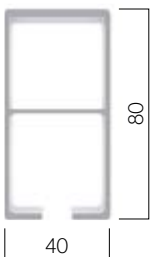
Terrace



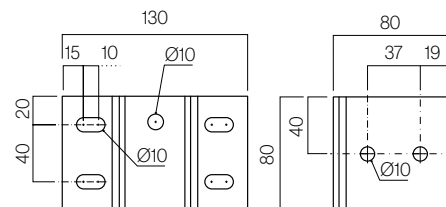
Wrought

## Profiles

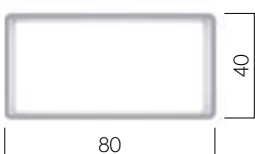
Guide profile



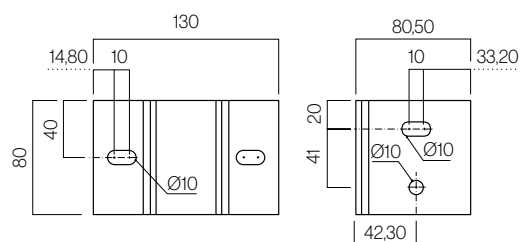
Floor



Structural profile

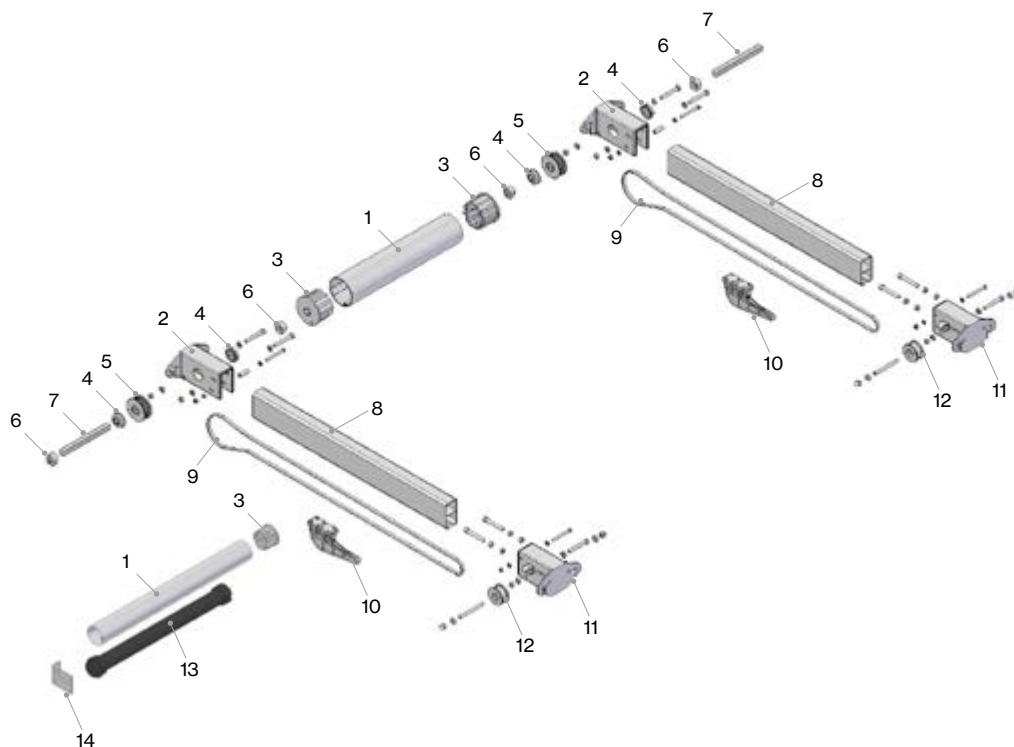


Wall



Measurements in mm.

Exploded view of motor components

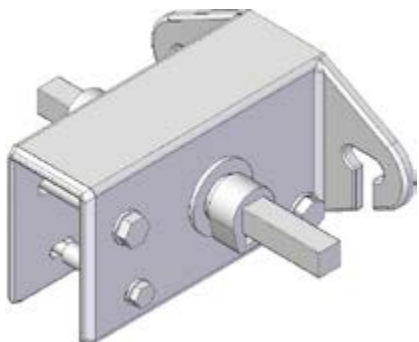


**Components**

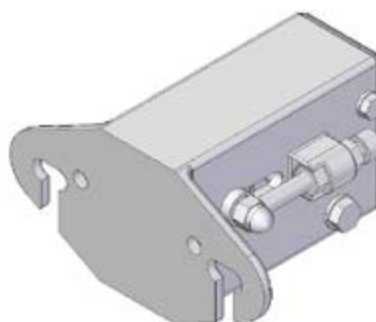
N° Description	N° Description
1 Transmission tube	8 80x40 guide
2 Drive support	9 Belt
3 Bushing without square insert	10 Drag pulley
4 Bearing	11 Return support
5 Drive pulley	12 Return pulley
6 13 mm axle brake	13 Motor
7 13 mm square axle	14 Motor support

1.1 Motorisation accessory kit

Drive support



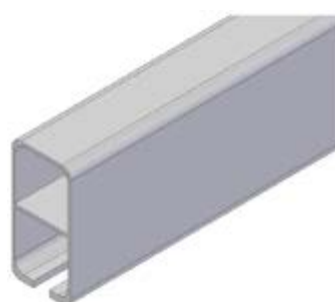
Return support



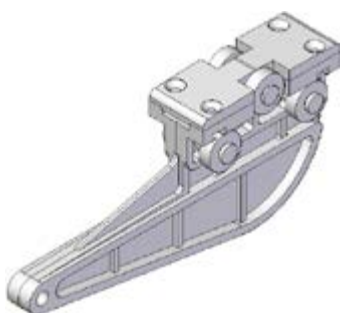
Transmission tube



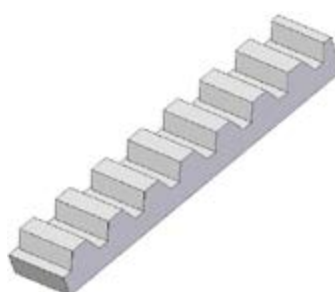
Guide profile



Drag pulley



Toothed belt



## 2. Main technical data

### Maximum and minimum distance between sticks

Maximum **60 cm**

Minimum **50 cm**

### Maximum assembly dimensions

Assembly with 2 guides

5 metres of line by 5 metres of output

5 metres of line by 9 metres of output In this case the guides will have to be spliced, with an intermediate structural support as a brace.

Maximum distance between guides: 5 m

Assembly with intermediate guides

From 5 metres of line An intermediate guide shall be mounted

Maximum output of 9 metres Applying the same criteria as for two guides, as described above.

Maximum distance between guides: 5 m

### Restrictions based on current regulations

Wind resistance and safety. (UNE-EN 13561:2015).

Output	Line						
	2.00	2.50	3.00	3.50	4.00	4.50	5.00
2.00	3	3	3	3	3	3	2
2.50	3	3	3	3	3	3	2
3.00	3	3	3	3	3	2	2
3.50	3	3	3	2	2	2	2
4.00	3	3	2	2	2	1	1
4.50	3	3	2	2	1	1	1
5.00	3	2	2	1	1	1	1

Class 1 ≈ 28 Km/h
  Class 2 ≈ 38 Km/h
  Class 3 ≈ 49 Km/h

### Motor diagram

Minimum torque 30 Nm. (2 guides).

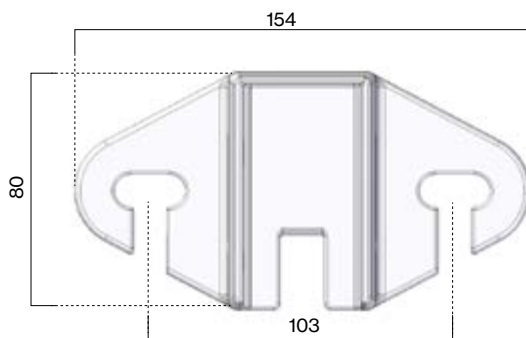
Minimum torque 40 Nm. (3 guides or more).

## Important

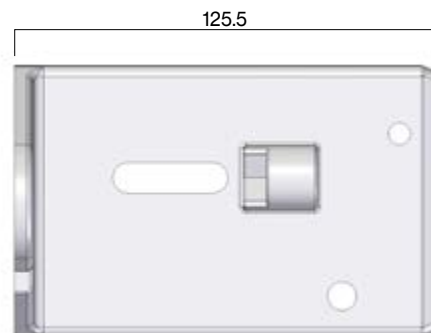
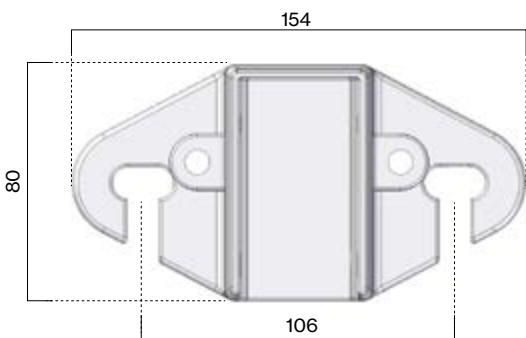
The installer is responsible for fixing the supports correctly, taking advice when necessary from professionals in the sector on the appropriate fixing elements based on the surface where the product will be fixed. They are responsible for this operation and for guaranteeing its correct assembly and subsequent functioning.

### 2.1 Measurements and key data

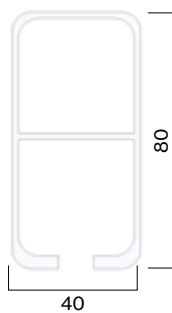
#### Drive support



#### Return support

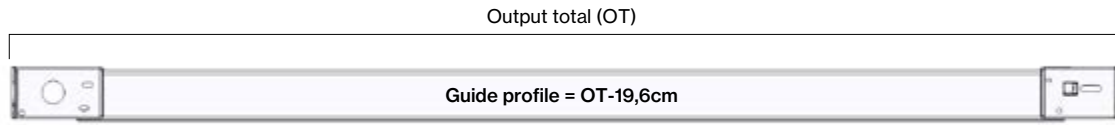


#### Guide



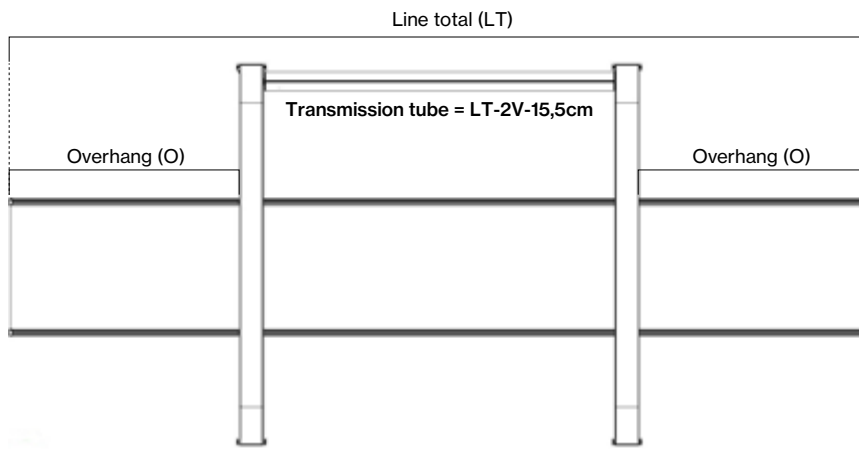


**Output**



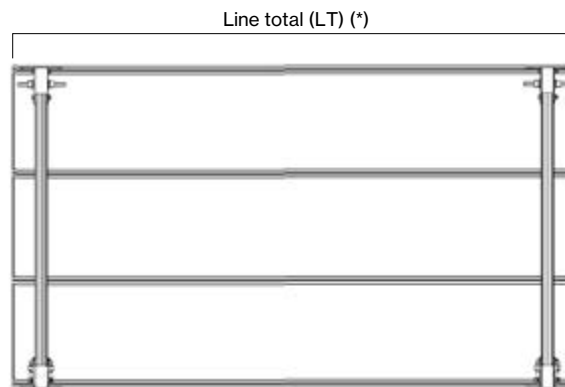
**Line**

\*Guides inwards.



Maximum overhang = 100 cm

\*End guides (with motor box).



(\*) From outside to outside of support wings

**Toothed belt**

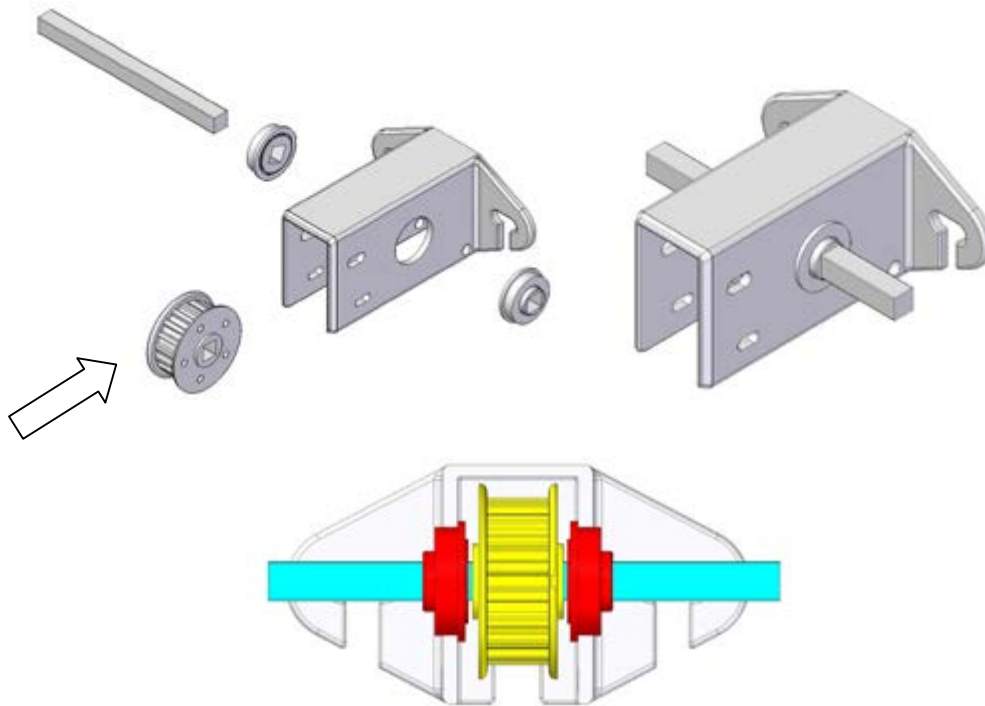


---

### 3. Guide preparation

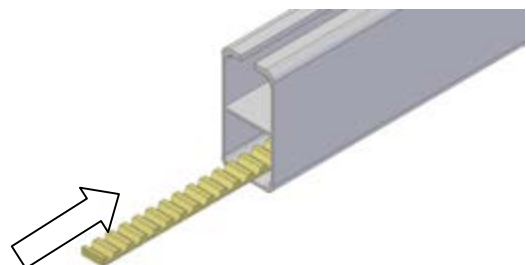
#### 3.1 Mounting the drive support

The ring gear shall be inserted into the support between the bearings, and the square axle shall be inserted from the side through the bearings and the ring gear.

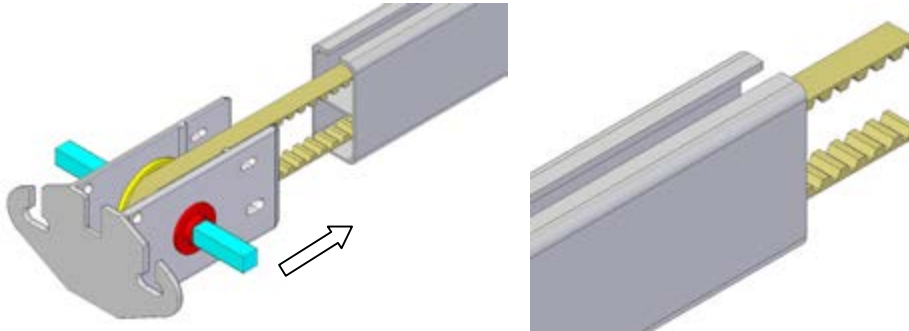


#### 3.2 Fitting the belt and assembling the drive support

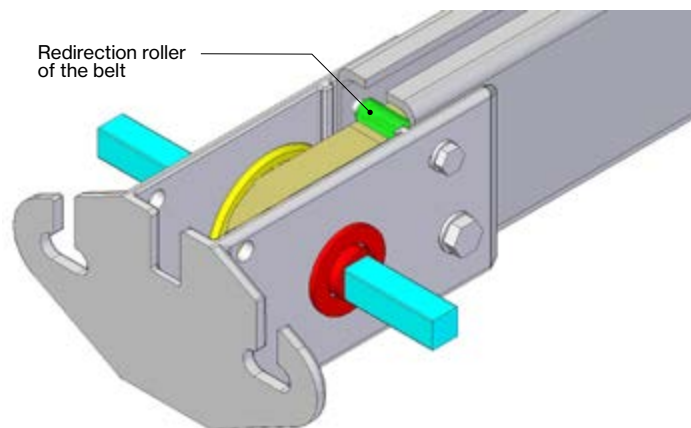
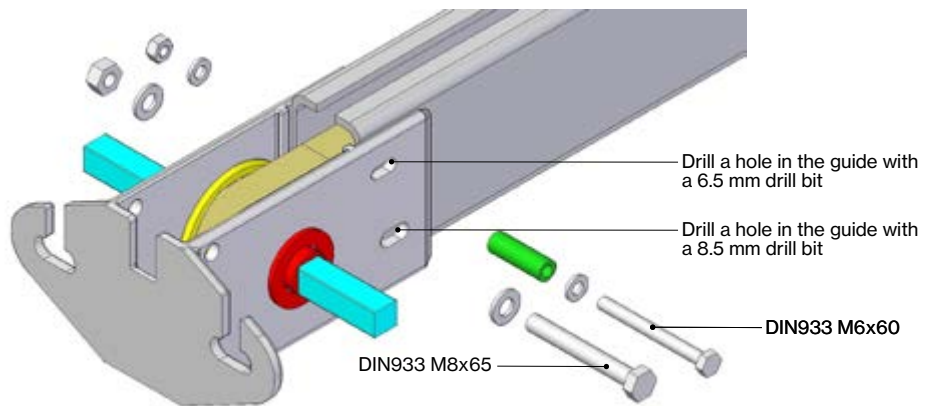
Place the guide with the pulley opening facing upwards and insert the belt through the hole shown in the picture towards the other end.



Position the drive support in front of the guide and pass the belt around the drive ring gear, then insert it through the upper hole of the guide as shown in the following image, until the two ends of the belt are in the part of the guide where the return support will be housed.

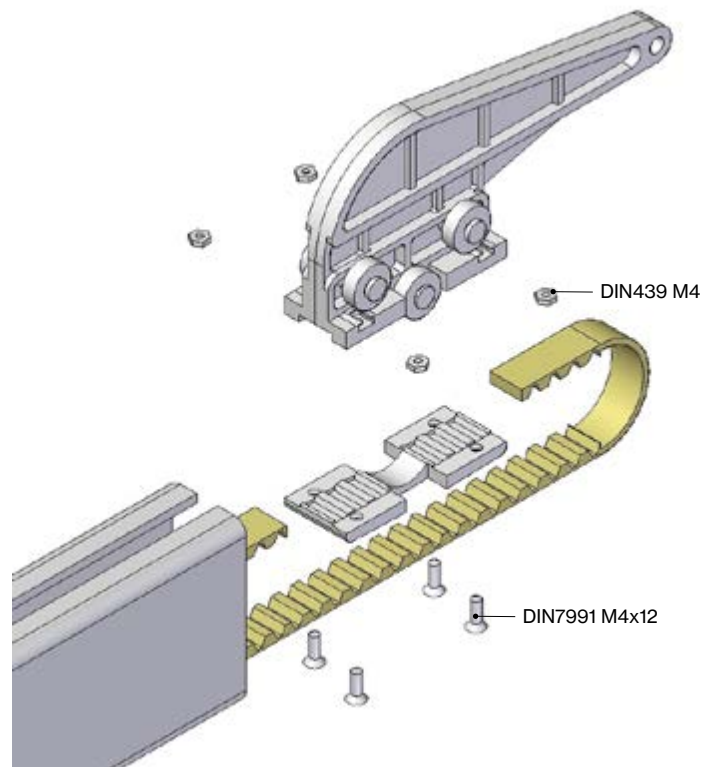


Assemble the drive support with the guide by positioning it inside the guide 4 mm from the inner stop, and once it is in place, drill it by placing the drill in the centre of the slotted hole (this will allow us to have a margin of adjustment when they are hung for assembly on site).



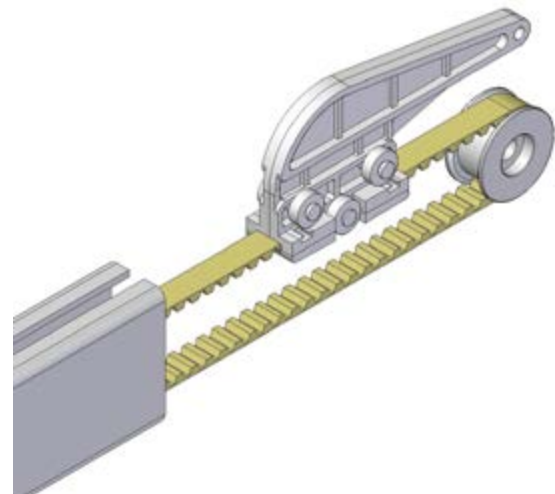
### 3.3 Assembling the drag pulley

At the other end of the guide, close the belt with the drag pulley. To do this, loosen the four screws on the top plate of the belt, insert three teeth of each end of the belt between the connecting plates and fix it again with the four previously loosened screws (note the mounting position of the pulley shown in the picture).

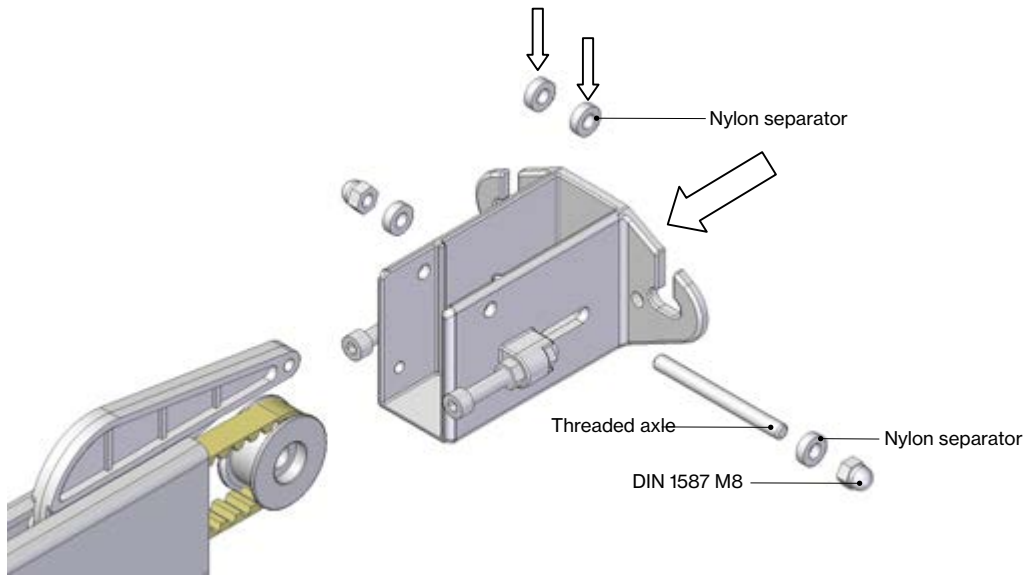


### 3.4 Mounting the return support

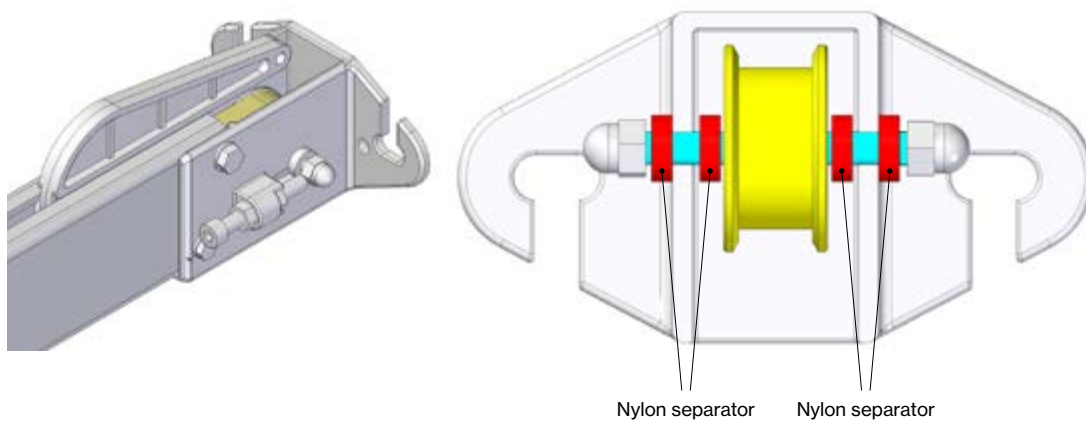
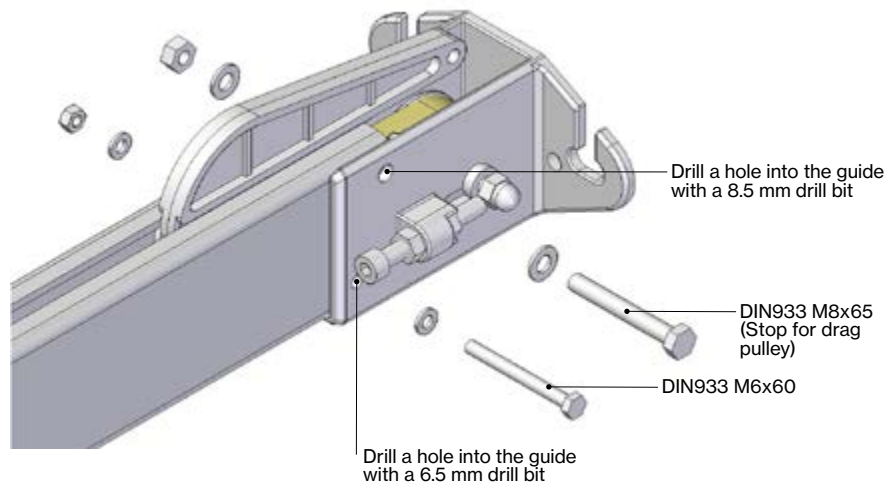
Position the return pulley on the belt.



Once the return pulley has been positioned on the belt, insert the drag pulley into the guide and mount the return support by bringing the guide up to its inner stop.



To fix it, drill the guide through the holes in the support and screw it in place.

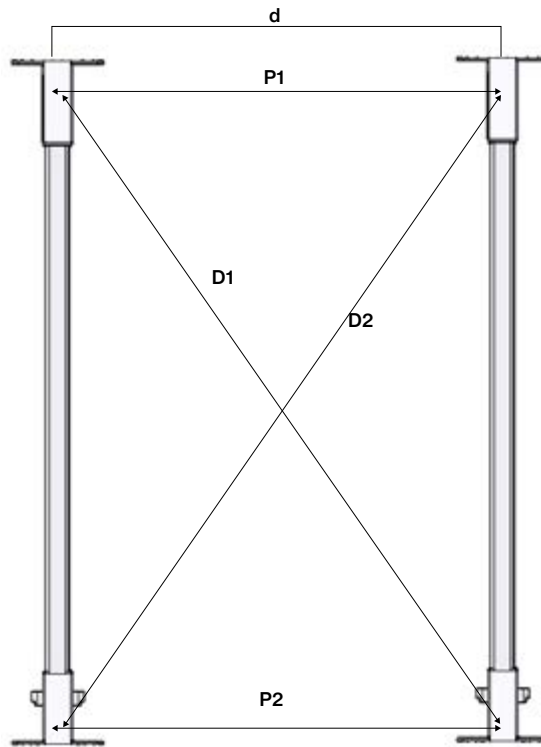


---

## 4. Installation

### 4.1 Hanging the guides

Fix the guides to the structure profile or the wall using the slotted holes of the supports. The supports must be perfectly aligned and securely anchored, respecting the following dimensions between the centres of the supports according to each case:



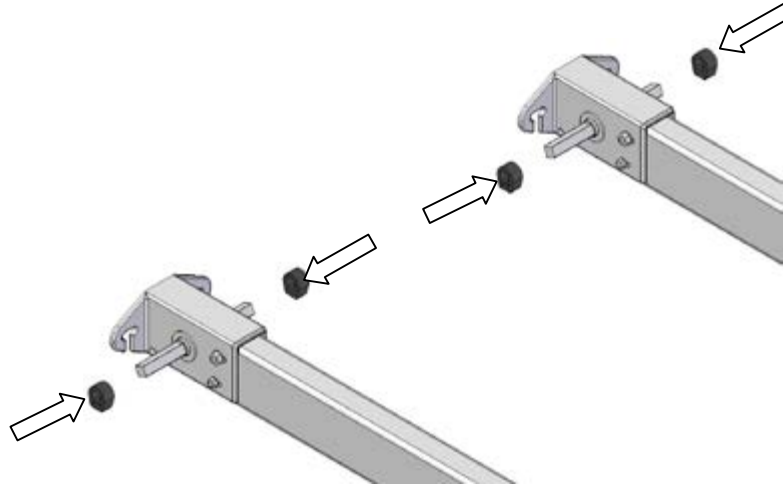
2 guides:  $d=LT-2O-40$     LT: LINE TOTAL  
3 guides:  $d=(LT-2O-40)/2$     O: Side overhang of the sticks.

To fix correctly to the wall, the installer should take into account the anchoring surface to choose the appropriate fixing elements. They are responsible for this operation, guaranteeing correct assembly and safe functioning.

Once the structure is assembled, the diagonals and parallelism must be taken to make it perfectly square. In the case of three guides, diagonals and parallels shall be taken from each pair of continuous guides.

### 4.2 Mounting the transmission tube

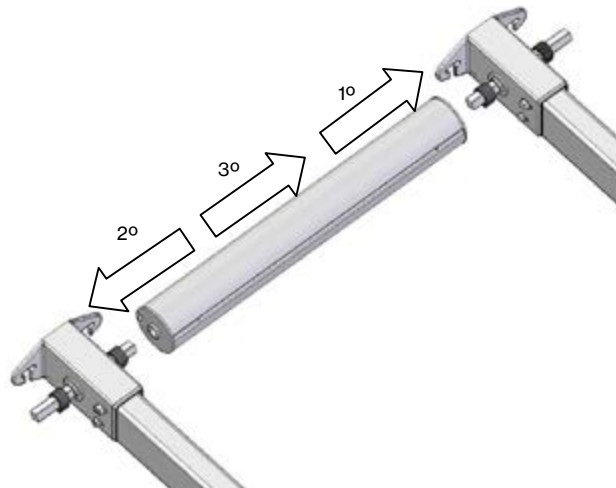
First, the brakes shall be positioned on the square axles. They shall not be tightened until the transmission tube is mounted and the axles are in their final position.



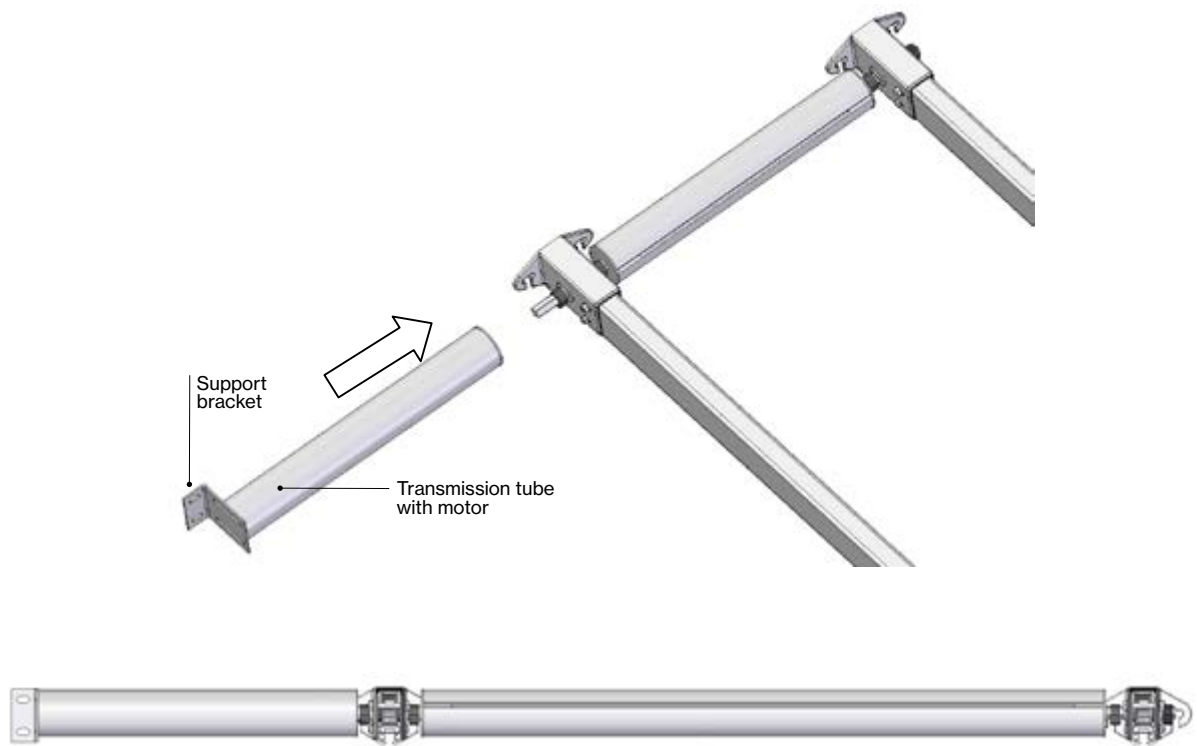
The transmission tube shall then be mounted by first inserting one end of the tube into the square axle of one of the guides. Next, move the axle of the other guide so that it can be inserted into the other end of the transmission tube. Finally, put the axles in their final position and tighten the brake studs.

**!** Attention

It is very important that the drag pulleys of all guides are aligned with each other before mounting the transmission tube.

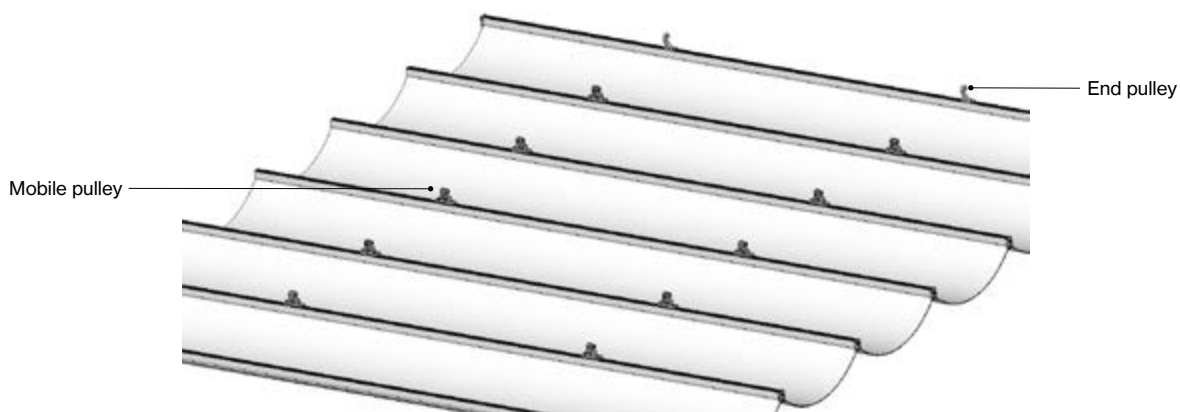


Finally, the motor is mounted by inserting the free end of the square axle through the motor transmission tube bushing and attaching the other end to the structure or wall using the support bracket.



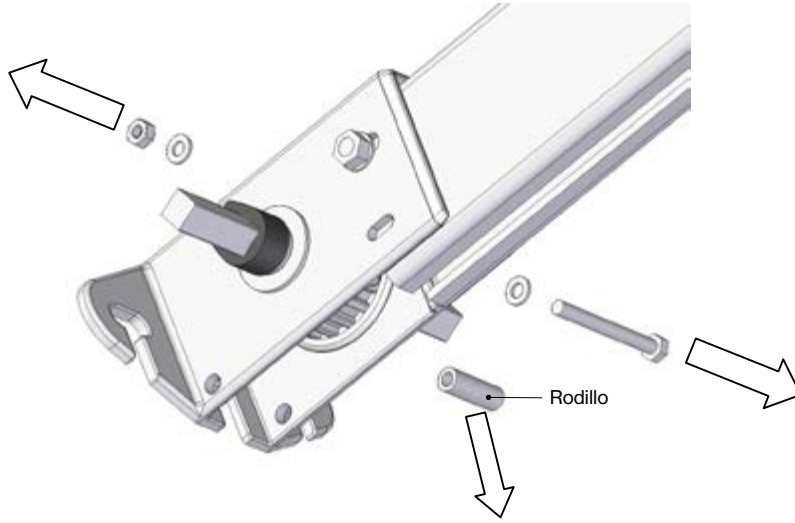
### 4.3 Mounting the fabric

Once the guides and the motor have been mounted and the drive system has been tested to ensure correct operation, by opening and closing it, the fabric can be mounted onto the awning. To do this, once the fabric has been placed on the sticks, fix the mobile pulleys and the end pulleys in their working position. The rods connecting the drag pulleys to the sticks must also be inserted into the groove of the first stick.

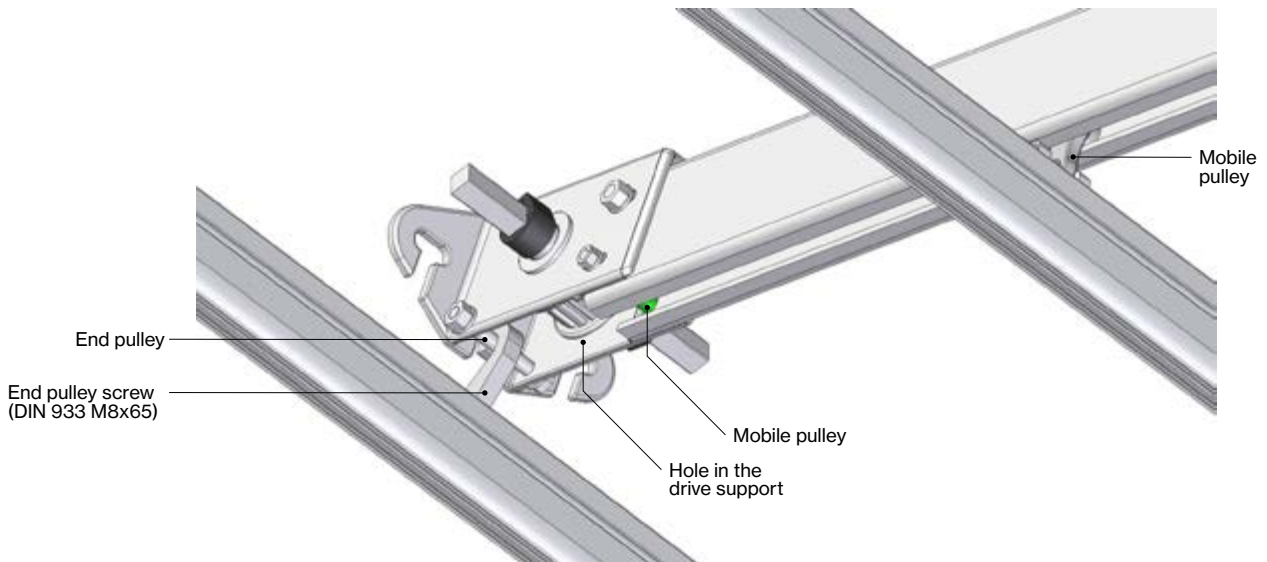




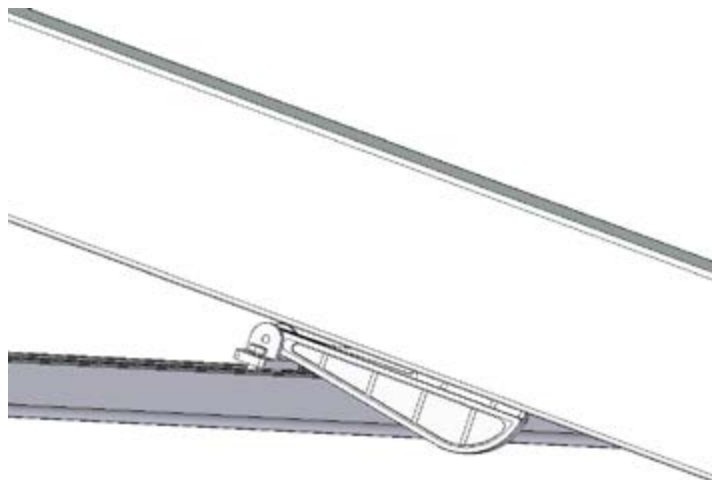
Then, after disassembling the belt redirection screw and roller from the driving support, insert the mobile pulleys into the guides through the lower holes of these supports. Take care to ensure that the drag pulleys are sufficiently separated from the supports to allow space for all the mobile pulleys to be positioned behind them.



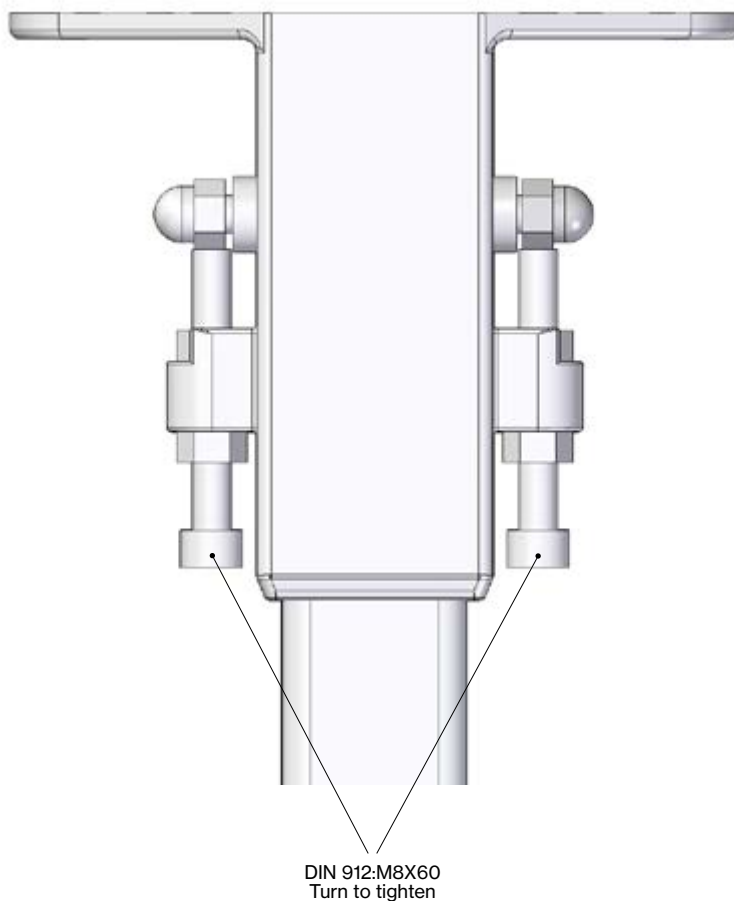
The mobile pulleys of the same stick shall be inserted at the same time in their respective drive supports, starting with the one immediately after the drag pulley and continuing progressively in order up to the final pulley, which shall be hung on the DIN933 M8x65 screw of the support to be mounted for this purpose. However, before installing the awning, the screw with the redirection roller (DIN933 M6x60) must be put back in place to prevent the mobile pulleys from falling off when the awning is coiled.



Next, connect the first stick to the drag pulleys by means of the strips previously inserted in it.



Finally, fix the belt in place by tightening the DIN 912 M8X60 screws of the return support. The tightening of both screws shall be done alternately to avoid jamming the belt and seizing the screws. The recommended tightening is done by turning the DIN 912 M8x60 screws one more time after the belt has been hidden in the guide.



DIN 912:M8X60  
Turn to tighten

**saxun**  
by Giménez Ganga

**Giménez Ganga, S.L.U.**  
Polígono Industrial El Castillo  
C/ Roma, 4 • 03630  
Sax (Alicante) • España

**saxun.com**

MT ANEAS 80X40 MOTORIZADO - EN - 01 - 0424

