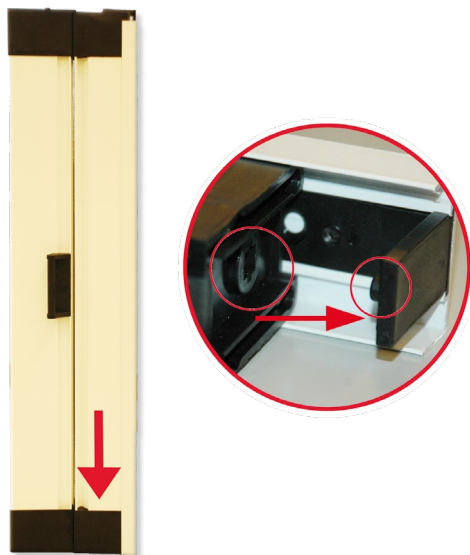


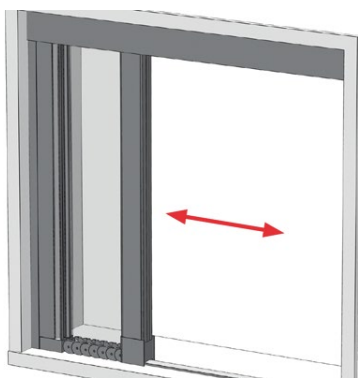
## Step 6

Once the cover has been aligned with the guide, press down slightly to insert it into the short pivot of the lower bracket.



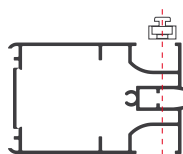
## Step 7

Check that the movement is adequate.



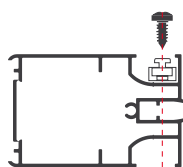
## Handle positioning

**\* Do not open the mosquito screen until it is placed in the guides.**



### Step 1

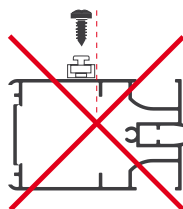
Insert the guide rail of the handle into its housing in the mosquito screen's profile.



### Step 2

Once positioned we will fix it to the profile with the supplied screws.

**Attention** do not use screws other than those supplied.



### ! Attention

Do not place the handle in any part of the profile other than the intended housing (indicated in the points 1 and 2); this will cause the mosquito screen to malfunction.

Giménez Ganga, S.L.U.  
Polígono Industrial El Castillo  
C/ Roma, 4  
03630• Sax (Alicante) • España

[saxun.com](http://saxun.com)

MK0027 · EN · 01 · 0222

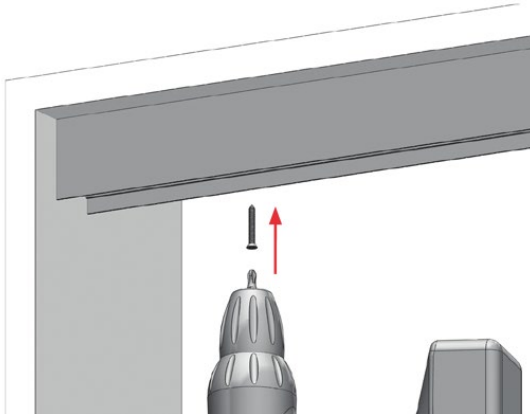
**saxun**  
by Giménez Ganga

## Installation Manual Mosquito Screen Side Door



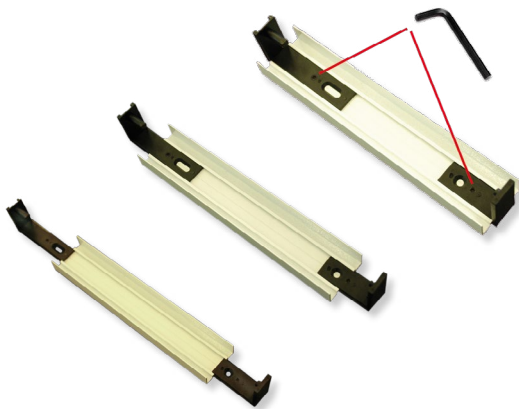
### Step 1

Insert the upper guide profile into the inside of the opening.



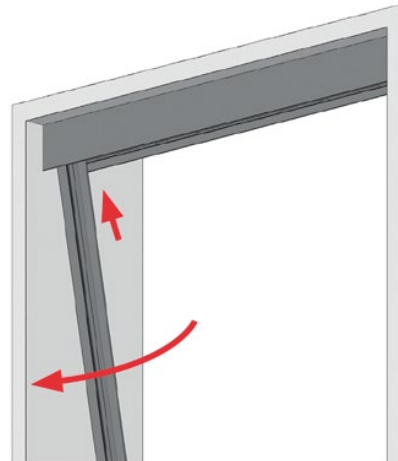
### Step 2

On the side guide (where the cover is fixed), correctly place the anchor kit of the cover (the bracket with a long pivot at the top and a short pivot at the bottom), and adjust it to the height of the cover and fasten it to the guide with the Allen key.



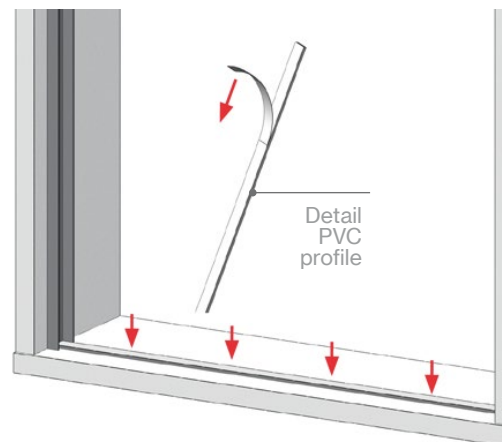
### Step 3

Place the side profiles against the wall and fix them with screws and plugs.



### Step 4

Position the floor guide profile (remove the adhesive cover paper) and align and centre with the magnetic side profile plates.



### Step 5

To anchor the cover to the side profile, tilt the upper part until it is aligned with the support pivot, slide the cover upwards to anchor it to the support and align it with the profile.

