

Warnings

Mosquito screens are designed to protect against insects, rodents and small reptiles and not to ensure safety or to prevent objects or people from entering, nor to prevent a child from falling from a window.

The product is equipped with a lower rail, pay special attention during the passage to avoid tripping.

In situations of low visibility and for people with visual difficulties, the net could be unrecognisable; it is advisable to highlight it clearly with coloured signs.

Operation in icy conditions can damage the screen and in windy conditions it is advisable to pack away the screen.

Do not remove product and CE mark labels from manufacture. The company reserves the right to modify all or part of the product without prior notice, and declines any responsibility for any inaccurate data. The company is not responsible for autonomous actions without prior consent nor tampering and/or modifications that may be carried out.

* The anchor plates should not be tightened too much.

Use

Activation

Pull the handle bar, sliding it along the rails until the net is fully packed inside the drawer.

Deactivation

Take the bar from the handle and slide it on the rails until the net is fully packed inside the drawer

Maintenance

Only carry out the maintenance operations indicated in the instructions. Under the action of external environmental conditions the network does not favour the growth of micro-organisms. For the external cleaning of the product use water and soap, after brushing both the net and the profiles, rinsing carefully.

Avoid the use of oils, greases, abrasive detergents and solvents, lubrication can be carried out with silicone spray.

It is advisable to use the product at least once every three months to avoid clogging of the mechanisms. Any other type of manoeuvring must be carried out by authorised assistance centres or by the company.

The net and/or some components are considered products subject to wear, so it is preferable to adhere to a technical assistance service scheduled with specialized centres.

The company thanks you for purchasing this mosquito screen; please read the contents of this document carefully and keep it.

This manual is an integral part of the screen and is intended to provide you with all the information you need for installation, use and maintenance.

The instructions, designs and documentation contained in this manual are of a technical nature and are the property of the company and may not be reproduced in any form, in whole or in part.

saxun
by Giménez Ganga

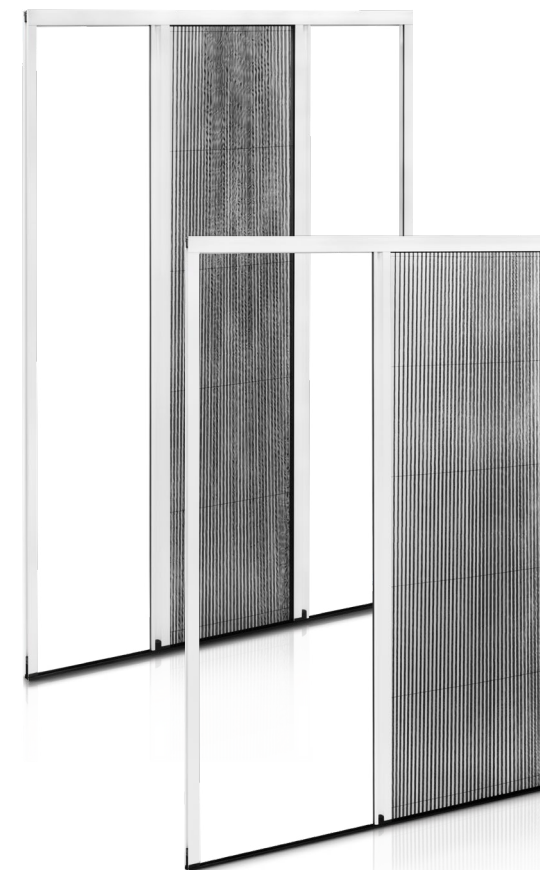
Giménez Ganga, S.L.U.
Polígono Industrial El Castillo
C/ Roma, 4
03630 • Sax (Alicante) • España

saxun.com

MIK0355 - EN - 01 - 0522

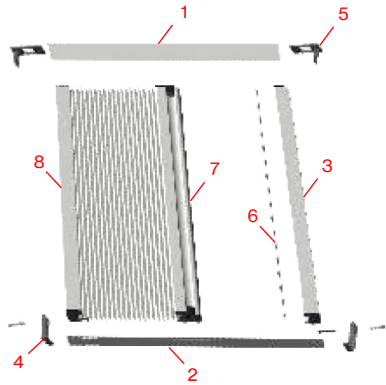
saxun
by Giménez Ganga

Assembly manual Pleated Mosquito Screen 27 Lateral And Reversible



1 Lateral 1 leaf

For the assembly follow the steps:
1 1 2 1 3 1 4 1 5 1 6



Step 1

Preparation of the guides: insert hooks **5** in the upper guide and hooks **4** in the lower guide.



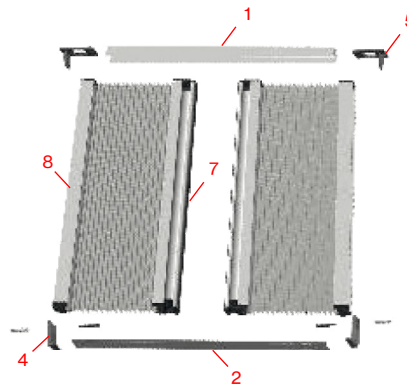
Step 4

Set the clips on both sides of the hole with screws and plugs, maintaining alignment with the guides. Insert the mosquito screen package into the opening, snap it into place with the hooks and side clips. Open the package and install the closing profile on the opposite side in the same way.



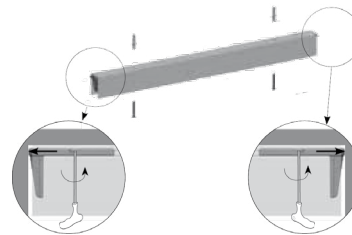
2 Lateral 2 leaf

For the assembly follow the steps for both sides:
1 1 2 1 3 1 4 1 6



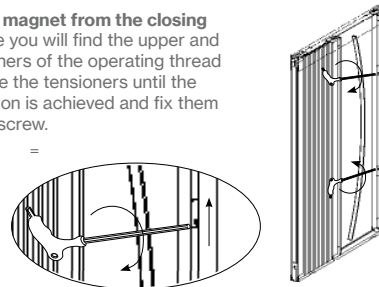
Step 2

Setting the compensator with screws and plugs in the upper part of the opening. Move the hooks **5** to the ends of the upper guide and lock by tightening the set screw.



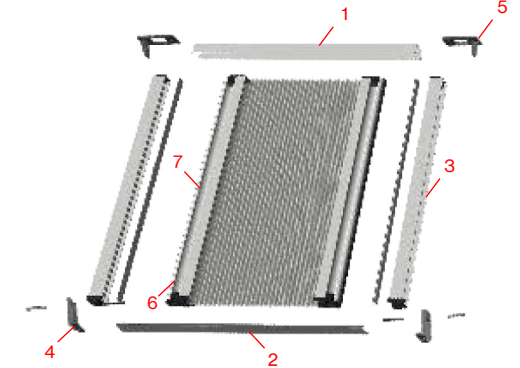
Step 5

Remove the magnet from the closing profile Inside you will find the upper and lower tensioners of the operating thread system. Move the tensioners until the correct tension is achieved and fix them with the set screw.



3 Reversible

For the assembly follow the steps:
1 1 2 1 3 1 4 1 5



Step 3

Attach the lower guide to the floor with the bi-adhesive, taking care to keep the guide aligned with the top guide. Move the hooks **4** to the ends of the lower guide, fix them to the wall with screws and plugs.



Step 6

If necessary, **individual adjustment of the threads** can be carried out using the tensioners of the fixed profile in the screen package whilst the screen is folded in.

*** Once the tension of the wires has been adjusted, replace the magnet, taking the polarity of the magnet into account.**

