

Warnings

Mosquito screens are designed to protect against insects, rodents and small reptiles, and not to act as a safety feature or prevent objects or people from entering the space, just as they are not designed to prevent a child from falling through a window.

The mosquito screen with lateral winding is powered by a spring; its use is recommended for adults.

In low visibility situation and for people with visual difficulties, the fabric of the mosquito net may not be very visible, it is recommended to highlight it with different colours.

Operation in freezing conditions can damage the mosquito screen and in excessive wind conditions it is advisable to collapse the screen.

Do not remove product labels or CE marking labels from the product.

The company reserves the right to partially or totally modify the product without prior notice, declining any responsibility for possible inaccurate data.

The company is not responsible for unforewarned independent interventions, alterations and / or changes made. The specified g_{tot} value is indicated in the declaration of performance.

Use

Opening

Hold the mobile profile with one hand and slide it along the guide towards the closing profile where it is held by the magnet.

Closing

Hold the mobile profile and slide it along the guide, holding them together until the fabric is completely retracted inside the box.

Maintenance

Only carry out the maintenance operations indicated in the instructions.

In external environmental conditions, the fabric of the mosquito screen does not aid the growth of micro-organisms.

For external cleaning of the product, use soap and water, having previously brushed both the fabric and the profiles, and taking care to carry out a correct clean.

Avoid the use of oils, greases, abrasive detergents and solvents, lubrication can be done with silicone aerosols.

It is recommended to use the product at least once every three months to avoid blocking the mechanisms.

Any other intervention must be carried out by authorised assistance centres or by the company.

The fabric and/or some components are subject to wear and tear, so it is preferable to contact an arranged assistance service at a specialised centre.

The company thanks you for purchasing the mosquito screen; please read the contents of this document carefully and keep it. This manual is an important part of the screen and is intended to provide you with all the information necessary for installation, use and maintenance.

The instructions, images and documentation contained in this manual are of a confidential technical nature, they are the exclusive property of the company and may not be copied in any way, in whole or in part.

saxun
by Giménez Ganga

Giménez Ganga, S.L.U.

Polígono Industrial El Castillo
C/ Roma, 4
03630 • Sax (Alicante) • España

saxun.com

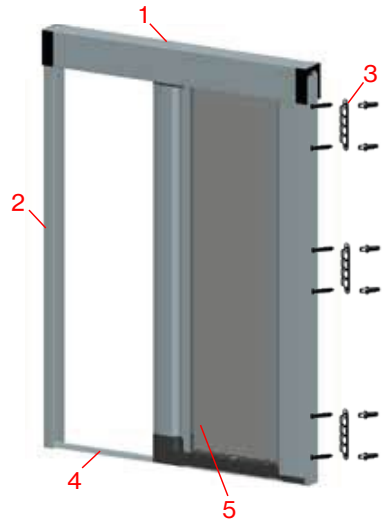
MK0709 - EN - 01 - 0522

saxun
by Giménez Ganga

Assembly manual Mosquito Screen Lateral Door 2020



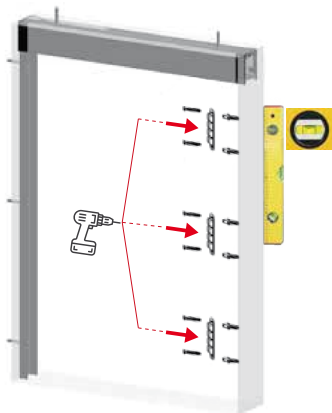
1 Components



Description	
1	Upper guide profile
2	Side closing profile
3	Set of Support Clips
4	Lower floor guide
5	Mosquito screens

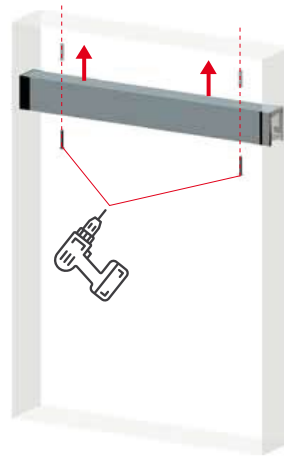
Step 3

Distribute the clips evenly on the wall and fix them with screws and plugs.



Step 1

Insert the upper guide profile into the inside of the opening.



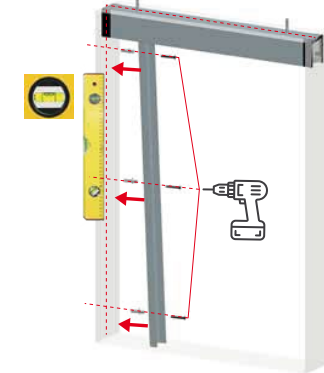
Step 4

Place, align and centre the lower guide profile (remove the adhesive paper cover) with the magnetic side profiles plates.



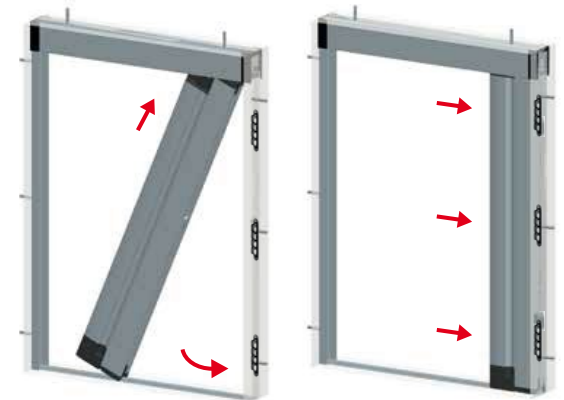
Step 2

Place the side profile against the wall and fix it with screws and plugs.



Step 5

Insert the mosquito screen into the upper guide (the spring will be at the top and the chain at the bottom). Then press the mosquito screen against the set of Support Clips until it is completely fixed in place.



Attention:

Check that the screen is centred and aligned for proper use.