

Technical Manual

Window & Door Shutter R-7

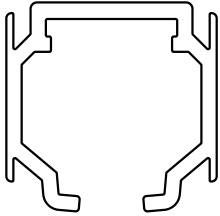


Index

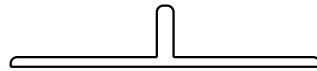
1. Components	4
2. Tools	5
3. Installation process	6
3.1 Installation of the upper guide	6
3.1.1 Outside the wall	6
3.1.2. Between walls	8
3.2 Installation of the bottom guide	9
3.2.1. Surface-mounted guide	9
3.2.2 Pivot	10
3.2.3. Pivot with wall anchorage	10
3.3 Placement and regulation of the windows	11
3.4 Adjusting the position of the retainers	13
3.5 Fitting the front plate	13

1. Components

Top Guide for Sliding Window
and Door Shutter 2.0
005022



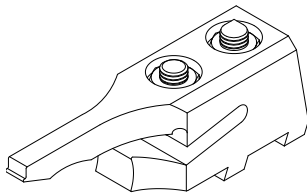
Bottom Guide for Sliding
Window and Door Shutter 2.0
005025



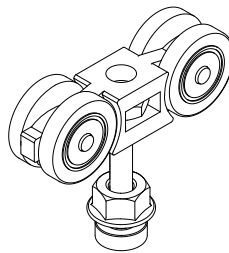
Sliding Window and Door
Shutter S Clip-on Trims
005563



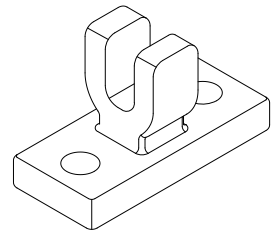
SF-P70 retaining stopper
with adjusting screw
051349



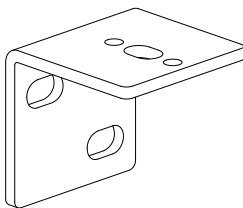
Long anchor bolts
005577



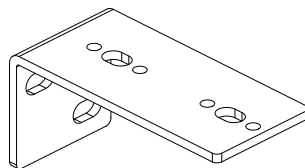
Sliding Window and Door
Shutter Pivot
005469
(Installation with pivot or pivot
with wall anchorage)



Wall bracket 1 rail
005447



Wall bracket 2 rails
005449



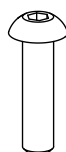
Tornillo ISO 7380 M6x16A2
005591
(External installation)



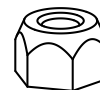
DIN 985 M6FRENO stainless
steel lock nut
051048
(External installation)



DIN 7380 M4x16 Allen screw
005448



DIN 985 A2 M4 Self Locking Nut
024875



2. Tools

- Drill
- 6 mm diameter metal drill bit
- Phillips screwdriver
- Spanner 6
- Spanner 7
- Spanner 13
- Allen key 2.5

3. Installation process

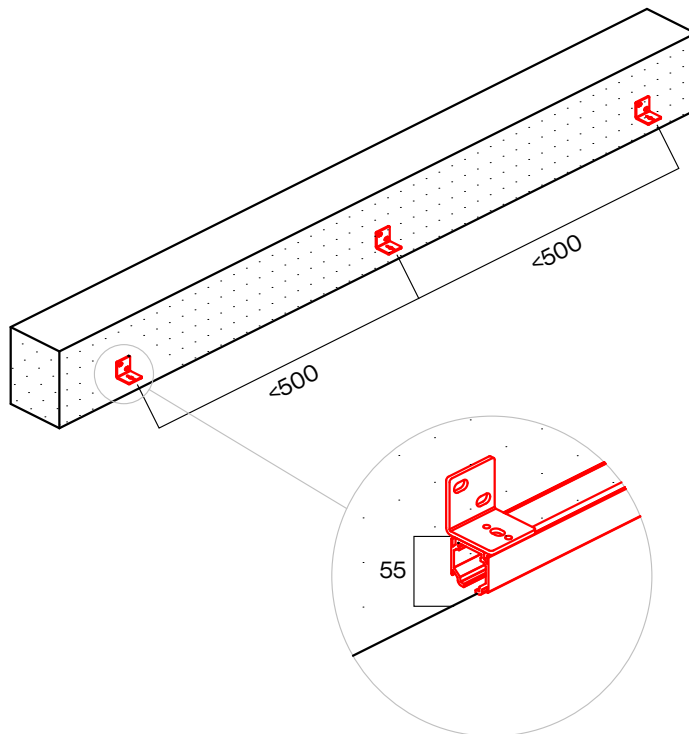
3.1 Installation of the upper guide

Depending on the type of installation, the upper guide can be either outside the wall or between walls. The installation process for each is outlined below.

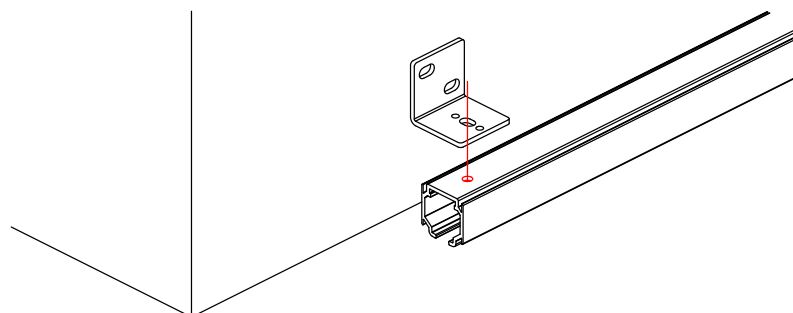
3.1.1 Outside the wall

When the upper guide is outside the wall, it must be anchored to the façade using the 1-rail wall brackets (**005447**) or the 2-rail wall brackets (**005449**), if the guide is 1-rail or 2-rail. The number of brackets depends on the length of the guide. All brackets shall be set at 55 mm from the top of the window and door shutter leaf.

The brackets shall be placed between the two ends of the guide, with the remainder spaced no more than 500 mm apart. Use the appropriate screws for the supporting wall, taking into account the load of the window and door shutter.



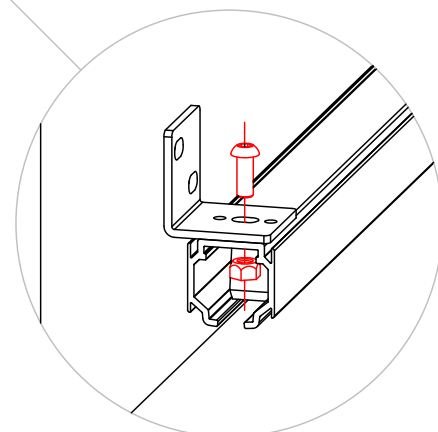
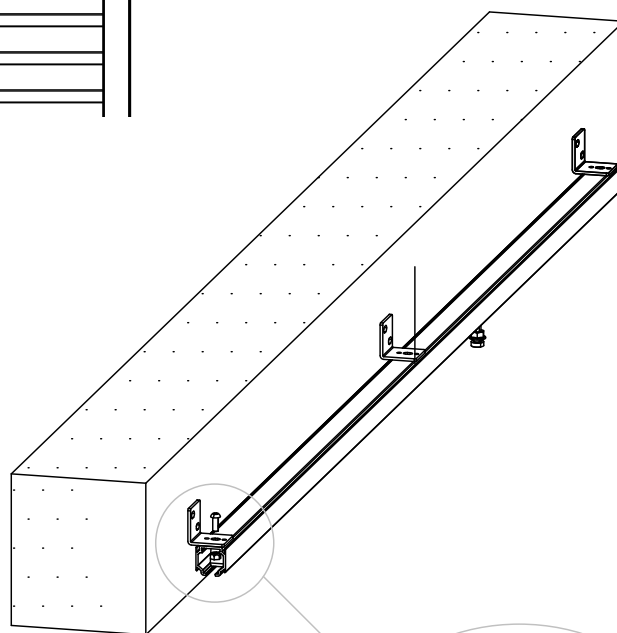
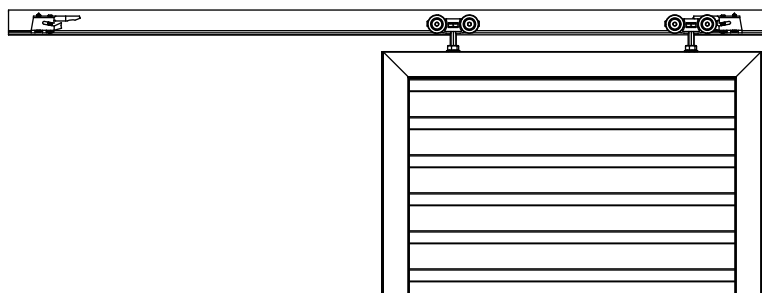
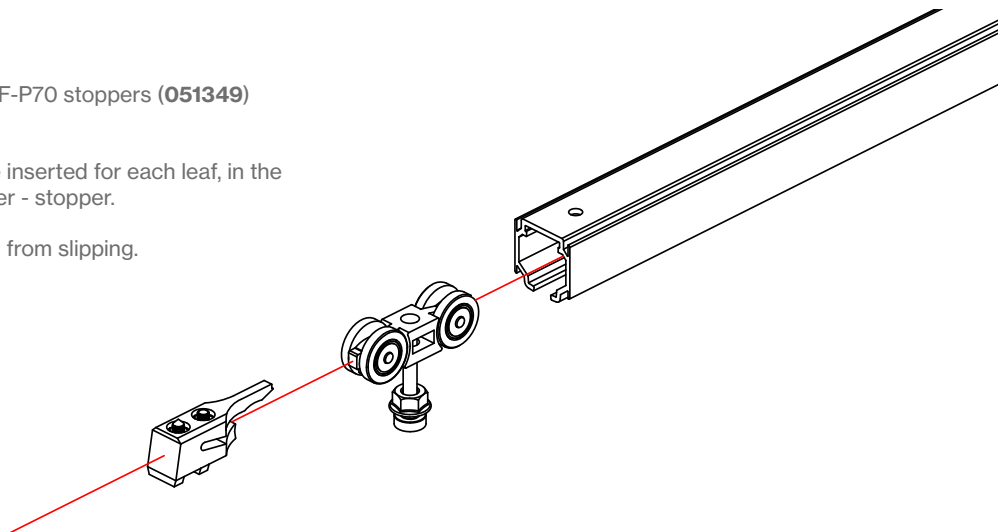
Then drill the upper guide (**005022**) with a 6 mm drill bit, aligning the holes with the main holes in the brackets.



Insert the bolts (**005577**) and the SF-P70 stoppers (**051349**) inside the upper guide(**005022**).

Two stoppers and two bolts must be inserted for each leaf, in the following order: stopper - roller - roller - stopper.

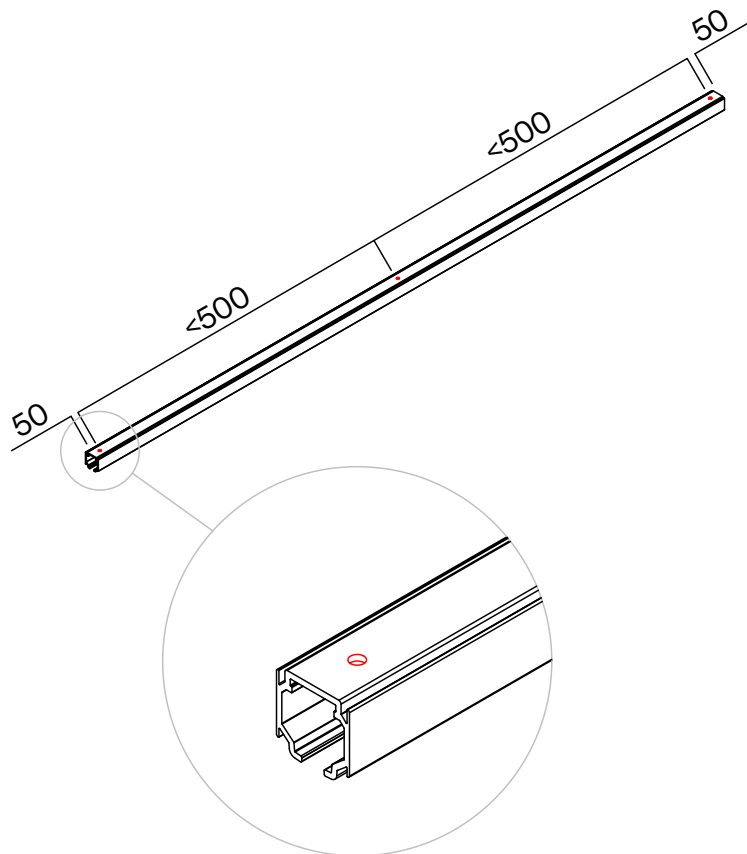
Fix the stoppers to prevent the bolts from slipping.



Screw the upper guides to the brackets using the ISO 7380 M6x16 screws (**005591**) and the DIN 985 M6 lock nuts (**051048**). Wedge the guide, if necessary, to maintain the horizontal level of the guide.

3.1.2. Between walls

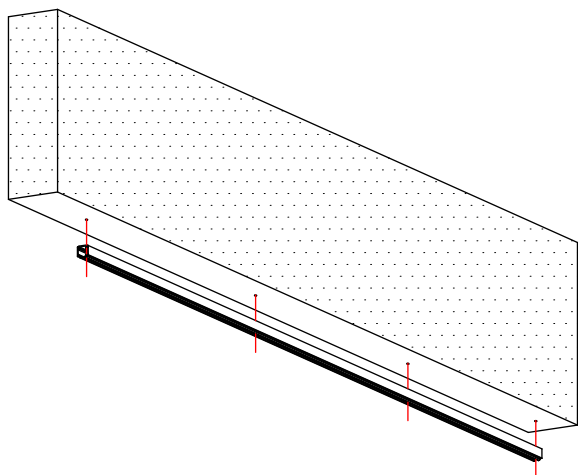
When the top guide is between the walls, drill (**005022**) using a 6 mm diameter drill bit to attach to the wall lintel. Drill holes at 50 mm from the ends and distribute the rest of the holes leaving a maximum distance of 500 mm between them.



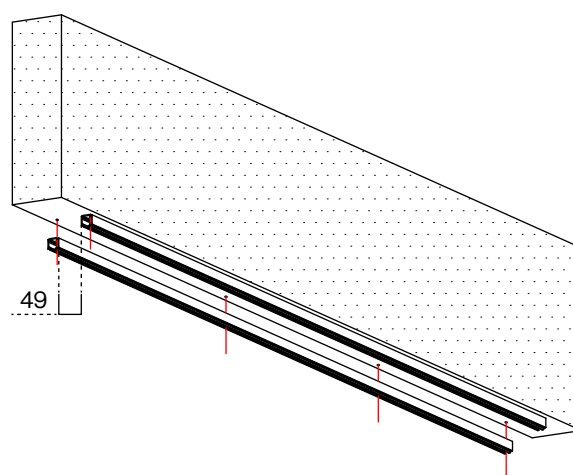
For on-site anchoring, using a drill bit in accordance with the screws, drill the holes in the lintel of the opening, lining them up with the holes previously drilled in the guides. In the case of 2 guides, the spacing between the centre of each guide should be 49 mm.

Screw the upper guide (**005022**) to the lintel using the appropriate screws, taking into account the load of the window and door shutter. Wedge the guide, if necessary, to maintain the horizontal level of the guide.

Drilling with 1 guide



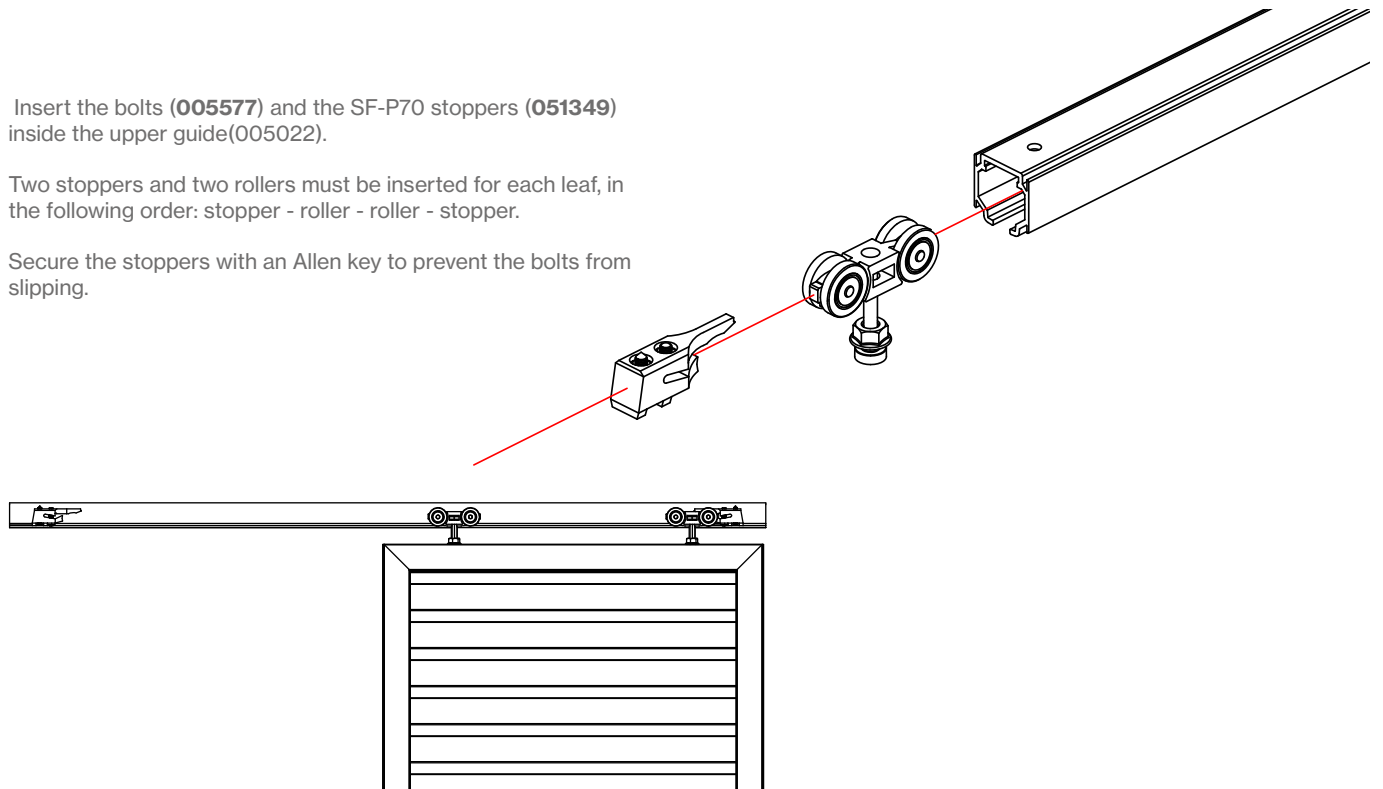
Drilling with 2 guides



Insert the bolts (005577) and the SF-P70 stoppers (051349) inside the upper guide(005022).

Two stoppers and two rollers must be inserted for each leaf, in the following order: stopper - roller - roller - stopper.

Secure the stoppers with an Allen key to prevent the bolts from slipping.



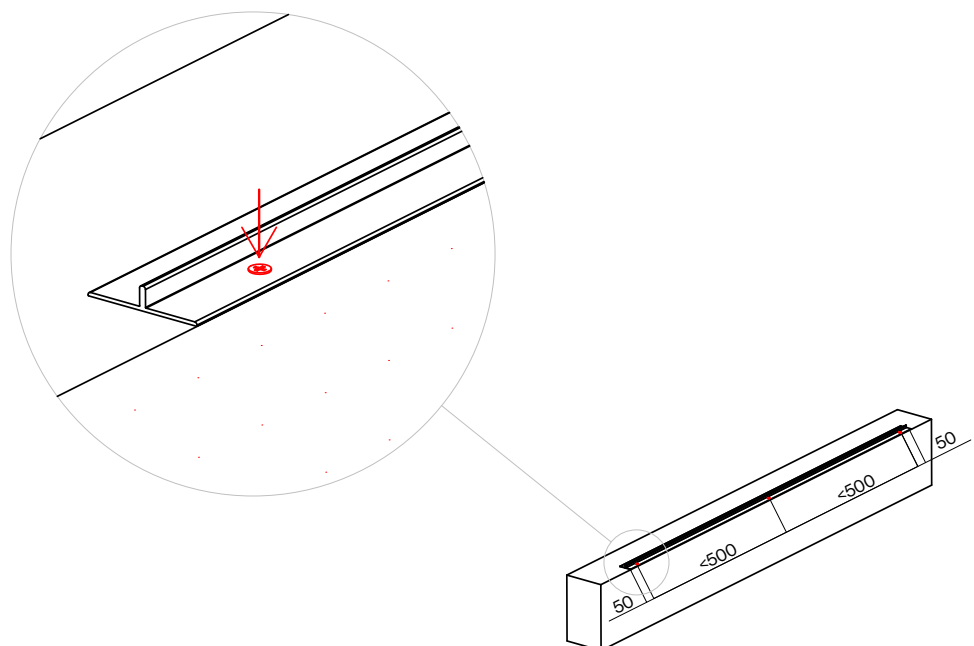
3.2 Installation of the bottom guide

Depending on the type of installation, the bottom guide can be surface-mounted, pivoted or pivoted with wall anchors. The installation process for each is outlined below.

3.2.1. Surface-mounted guide

Once the upper guide has been installed, maintaining its balancing weight, screw in the lower guide (005025) on site, placing the screws according to the wall in the centre of the outer wing of the guide. Drill the holes 50 mm from the ends of the guide and distribute the rest without exceeding 500 mm between them.

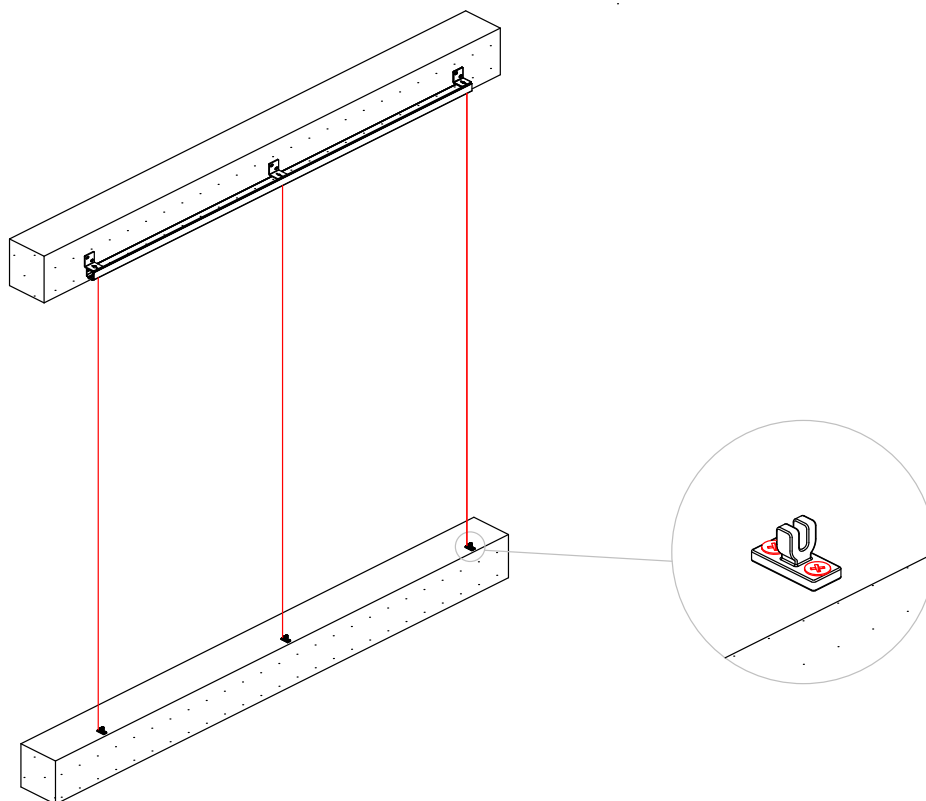
Wedge the guide, if necessary, to maintain the horizontal level.



3.2.2. Pivot

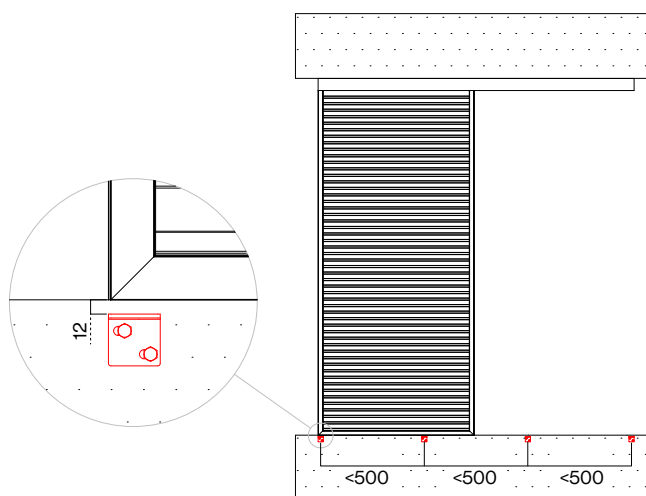
Screw the pivots (**005469**) to each of the holes in the upper guide, using screws in accordance with the lower structural element. Screws not supplied.

Wedge the pivots, if necessary, to maintain the horizontal level.



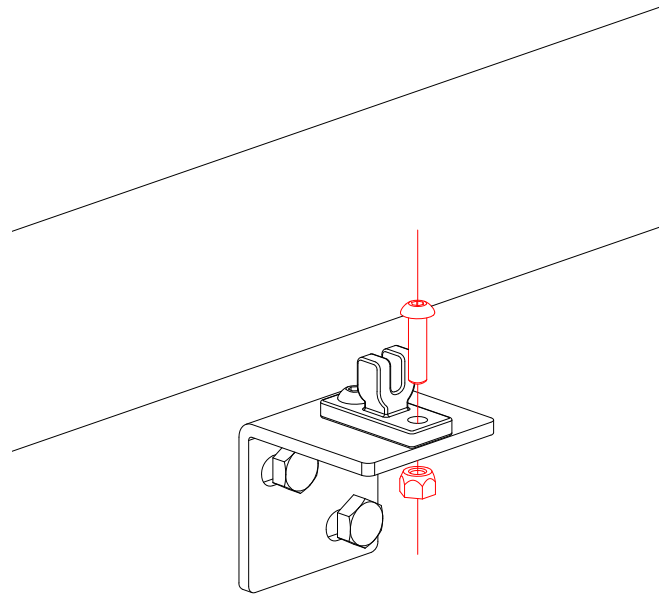
3.2.3. Pivot with wall anchorage

Screw the pivots (**005469**) to each of the holes in the upper guide, using screws in accordance with the lower structural element. Screws not supplied.



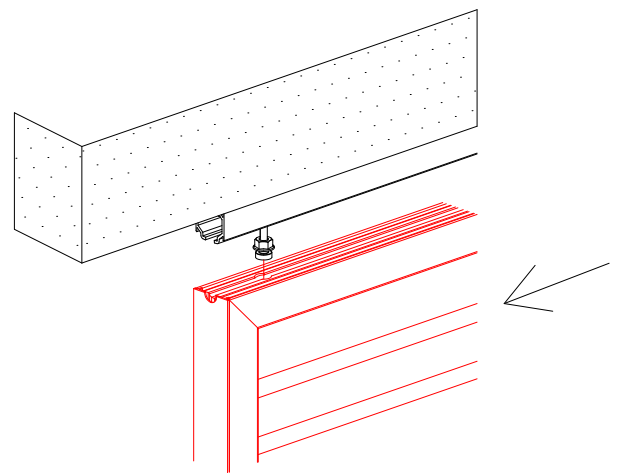
Then install the pivots in the brackets using two DIN 7380 M4x16 Allen screws (**005448**) and two DIN 985 A2 M4 self-locking nuts (**024875**) per pivot.

Wedge the pivots, if necessary, to maintain the horizontal level.

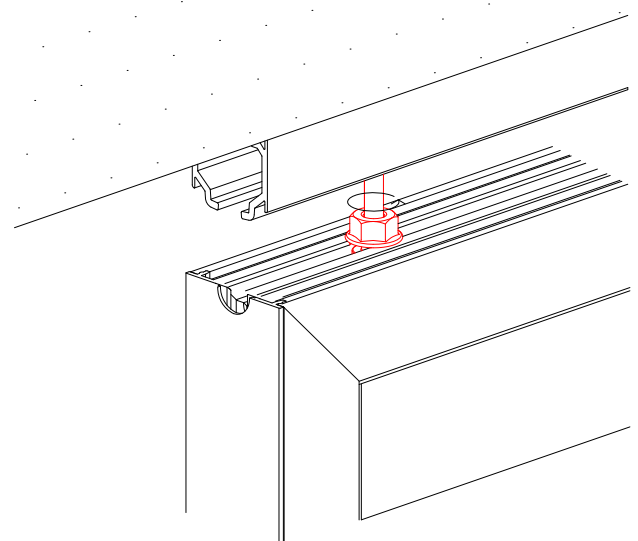


3.3 Placement and regulation of the windows

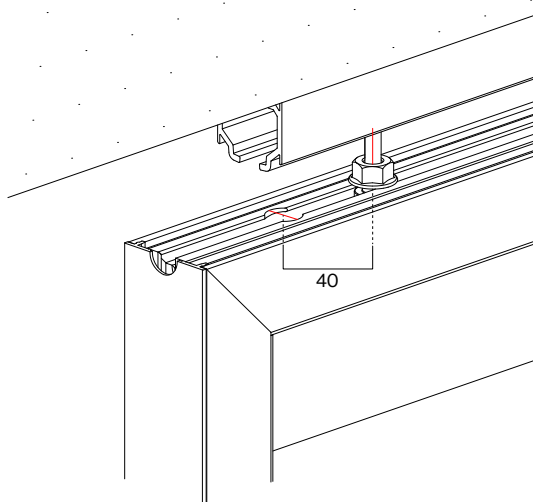
Place the window and door shutter leaf under the upper guide in position according to the desired configuration. Let it rest on the pivots or on the surface guide.



Insert the screw head of each of the bolts through the cut-out in the upper frame profile of the window and door shutter leaf. To do this, turn the leaf shaft counter-clockwise using the 6 mm open-end spanner.

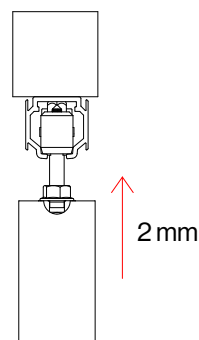


Once the head of the shaft has been inserted into the frame profile, move the bolt 40 mm towards the centre of the leaf from the cut-out.



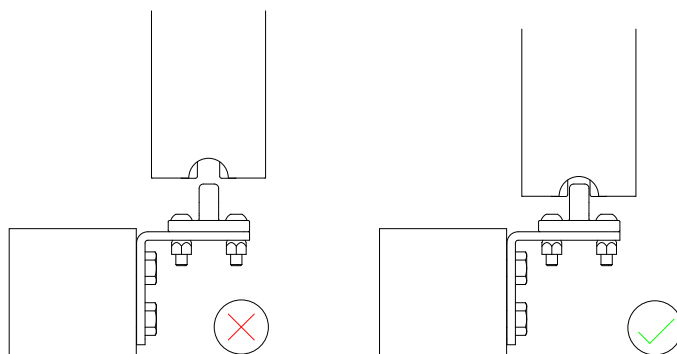
By turning the screw on the bolt shaft clockwise, raise the window and door shutter leaf by at least 2 mm until the leaf is level.

Once the leaves have been correctly levelled, tighten the lower nut of the bolt with a 13 mm open-end spanner, tightening the screw with a 6 mm open-end spanner.



!CAUTION!

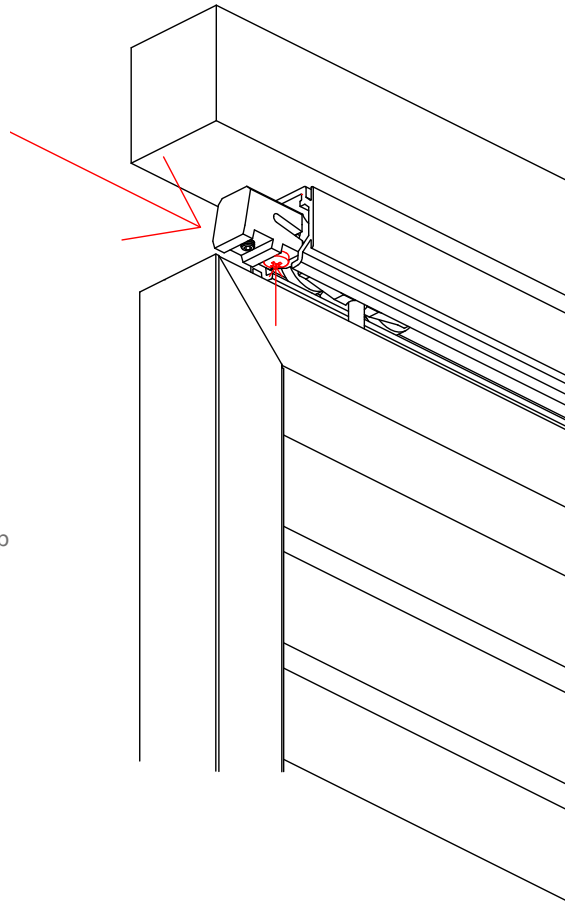
Do not remove the leaf from the lower pivot/guide



CAUTION Do not remove the leaf from the lower pivot/guide

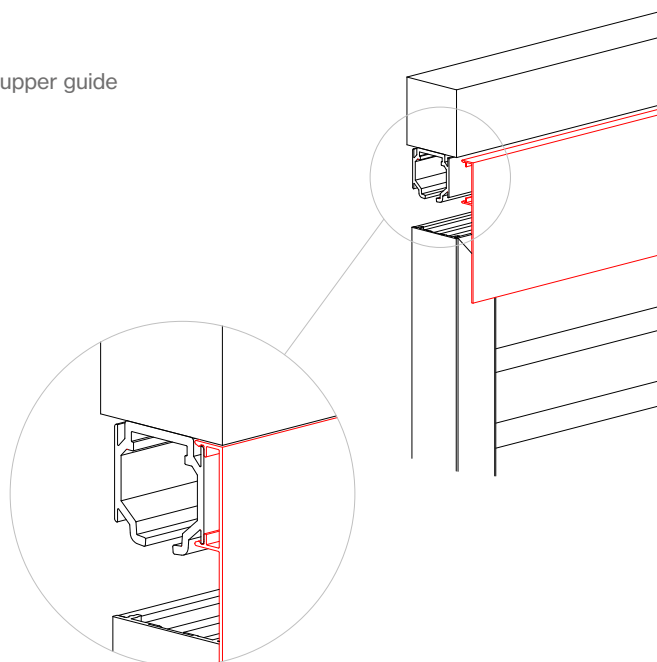
3.4 Adjusting the position of the retainers

Move the retainer to the position where you want the leaf to stop and fix it with the fixing screw.



3.5 Fitting the front plate

Fit by clipping the front trim plate (**005563**) to the upper guide (**005022**)



saxun
by Giménez Ganga

Giménez Ganga, S.L.U.
Polígono Industrial El Castillo
C/ Roma, 4 • 03630
Sax (Alicante) • España

saxun.com

MT-MALLORQUINA R7-EN-01-0424

