

saxun®

---

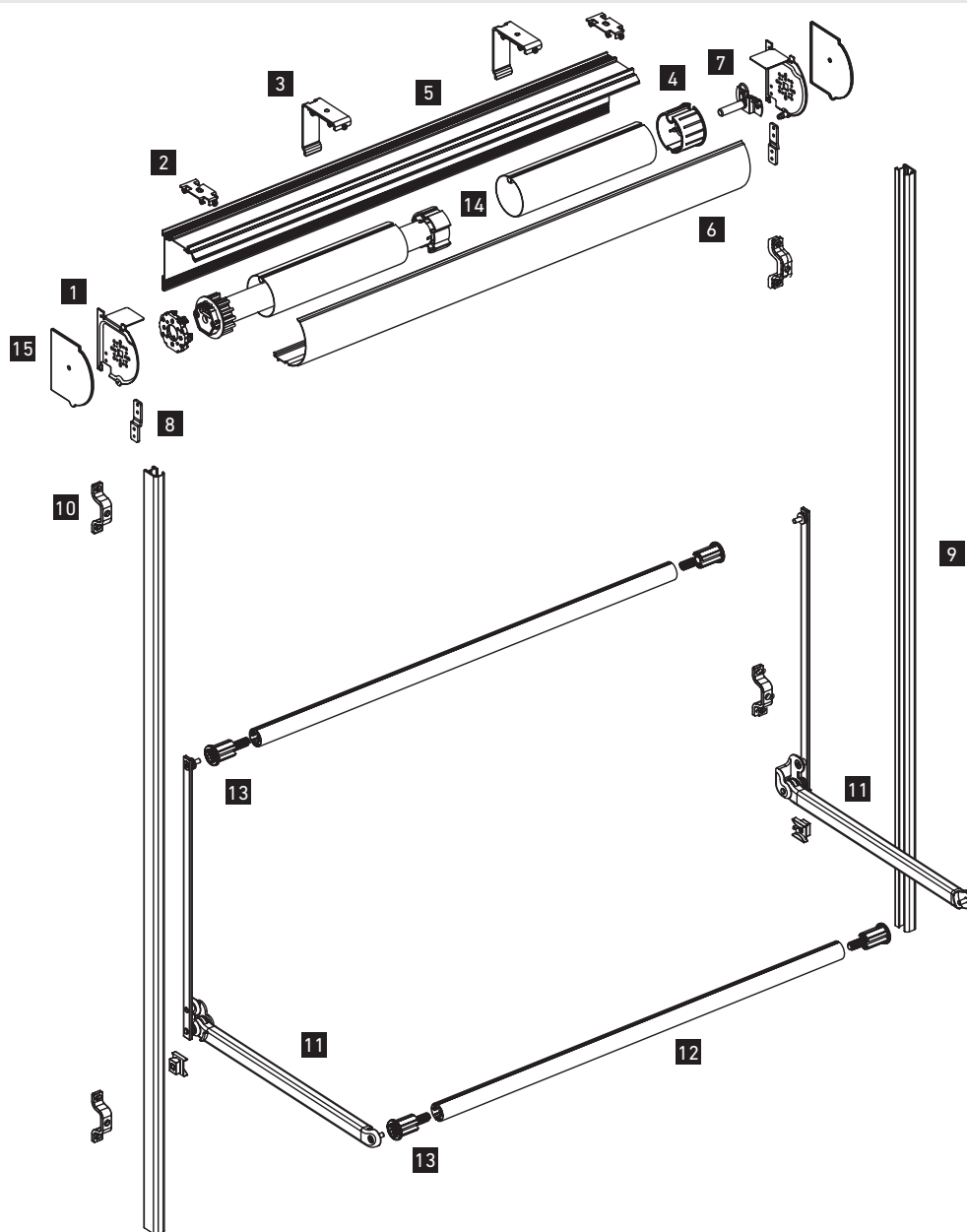
# DROPPY

---



## COMPONENTES

COMPONENTS | COMPOSANTS

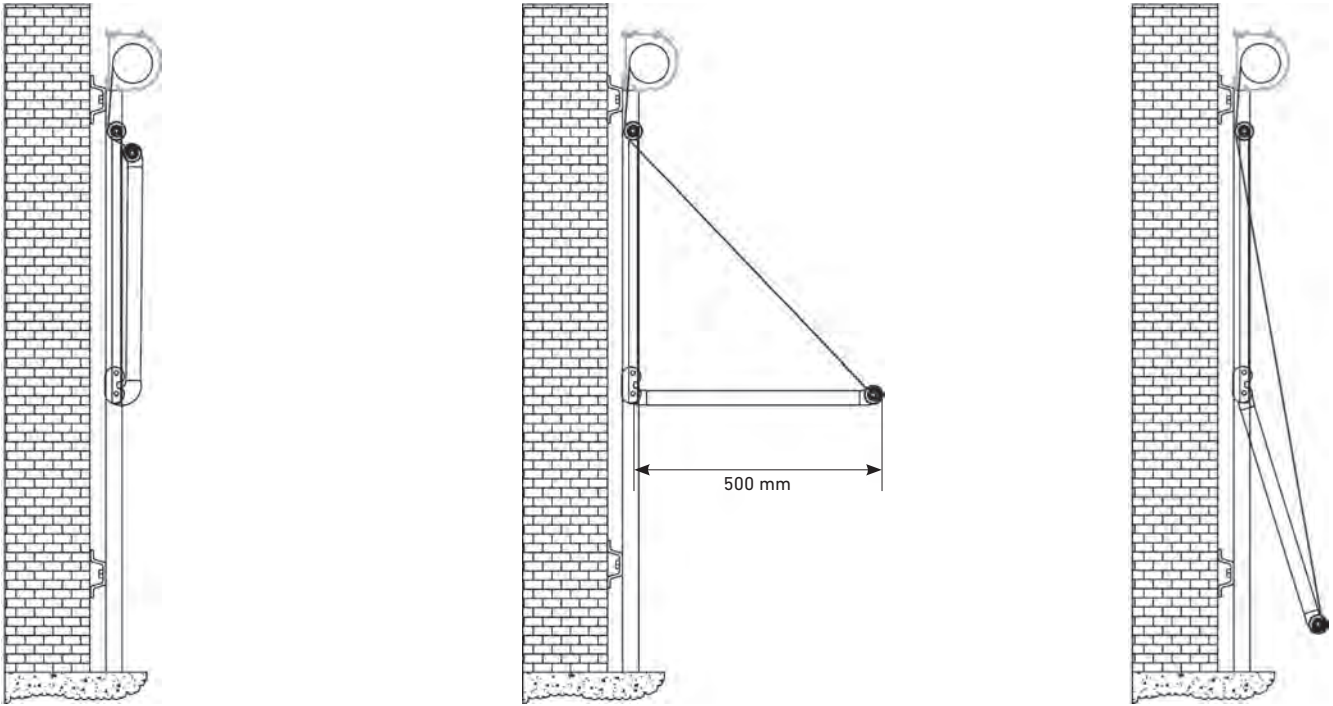


DESCRIPCIÓN DESCRIPTION   DESCRIPTION	CÓDIGO REF.   RÉF.
<b>1</b> Jgo. testero metálico Saxun Box 110 Set of end caps Saxun Box 110 Paire d'embouts Saxun Box 110	<b>030547</b>
<b>2</b> Soporte techo Saxun Box 110 Ceiling bracket Saxun Box 110 Support plafond Saxun Box 110	<b>030540</b>
<b>3</b> Soporte pared Saxun Box 110 Wall bracket Saxun Box 110 Support mur Saxun Box 110	<b>030542</b>
<b>4</b> Cápsula motor/cardán - eje 78 Roller cap axle 78 motor/gear Embout moteur/treuil - axe 78	<b>030538</b>
<b>5</b> Cajón Saxun Box 110 mm perfil angular Aluminium box front cover Saxun Box 110 Caisson Saxun Box 110 mm	<b>004275</b>
<b>6</b> Cajón Saxun Box 110 mm perfil tapadera Aluminium box back cover Saxun Box 110 Trappe de visite Saxun Box 110 mm	<b>004274</b>
<b>7</b> Perno soporte cápsula eje 78 Roller cap bolt axle 78   Coussinet pour embout axe 78	<b>030569</b>

DESCRIPCIÓN DESCRIPTION   DESCRIPTION	CÓDIGO REF.   RÉF.
<b>8</b> Jgo. enlace Saxun Box 110 guía 33x23 Set of guide joint 33x23 Saxun Box 110 Paire union Saxun Box 110 coulisse 33x23	<b>030212</b>
<b>9</b> Guía aluminio 33x23 Guide aluminium 33x23   Coulisse de aluminium 33x23	<b>030519</b>
<b>10</b> Puente inox varilla 8 mm Inox bracket for rod 8 mm   Pont en inox tige de 8 mm	<b>030096</b>
<b>11</b> Jgo. de brazos sistema 110 Set of folding arms 110   Paire de bras 110	<b>030703</b>
<b>12</b> Terminal contrapeso sistema 110 Aluminium bottom profile 110   Lame finale 110	<b>030182</b>
<b>13</b> Tapón terminal contrapeso sistema 110 Brazos Cap for counterweight bottom bar Saxun Box 110 Embouts lame finale contrepoids Saxun Box 110	<b>030324</b>
<b>14</b> Tubo de enrolla ø80 Rolling tube ø80   Tube d'enroulement ø80	<b>022807</b>
<b>15</b> Jgo. tapas embellecedora testero Saxun Box 110 Set of covers for aluminium end cap Saxun Box 110 Paire de caches enjoliveur Box 110	<b>030216</b>

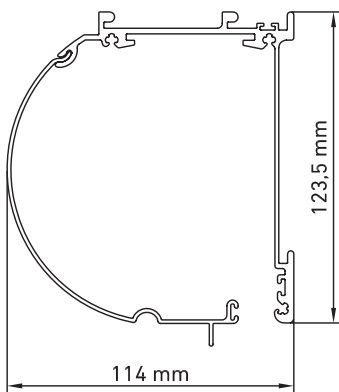
## APERTURA BRAZO

FOLDING ARM OPENING | OUVERTURE À BRAS



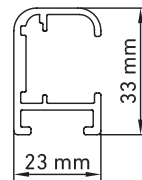
## PERFILES

PROFILES | PROFILS

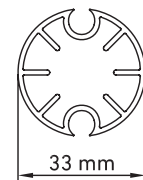


Perfil cajón  
Box profile  
Profile caisson

Guía  
Guide  
Coulisse

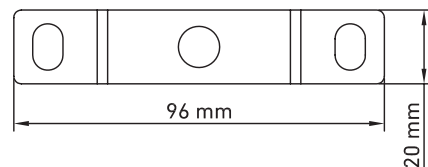
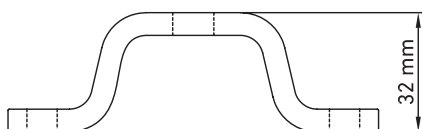


Terminal  
Bottom profile  
Lame finale



## SOPORTE GUÍA PARED

GUIDE WALL BRACKET | SUPPORT COULISSE MURAL



MÁXIMOS  
MAXIMUMS | MAXIMUMS

Ancho | Width | Largeur

4,00 m

Alto | Height | Hauteur

3,00 m

MÍNIMOS  
MINIMUMS | MINIMUMS

Ancho | Width | Largeur

1,25 m

Alto | Height | Hauteur

1,00 m

